



Bottle Trap

1 1/4" Bottle Trap With 300mm Wall Extension - Matte Black

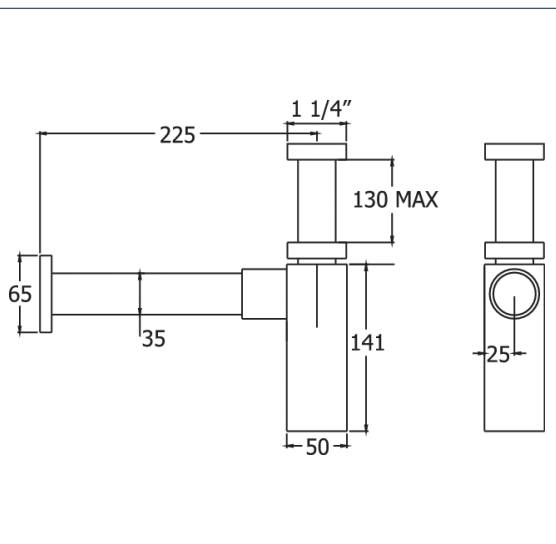
Product Code: VSN625BK

Finish: Matte Black

Features

Construction: Brass
Inlet Connections: 1 1/4" BSP

- Solid Brass construction
- 32mm compression outlet connection
- Adjustable extension tube
- Includes sealing washer
- Complies to BS EN 274-1



*Please refer to website for full warranty details.

