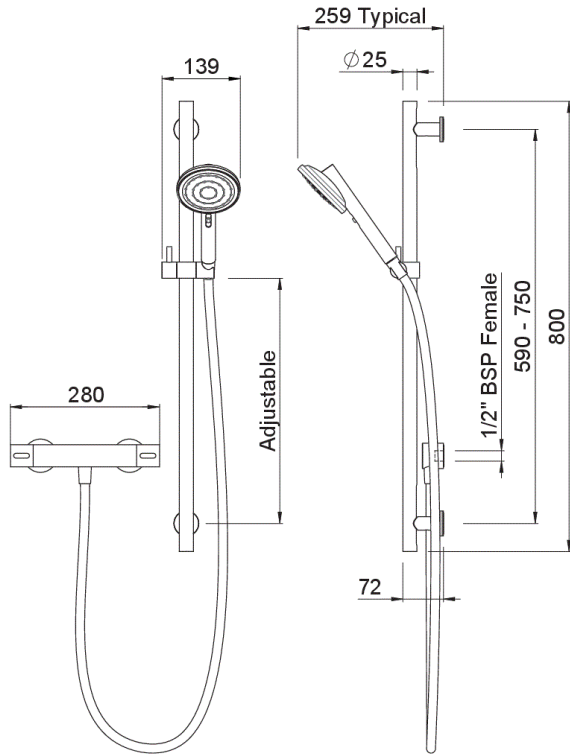


## TUROA BAR VALVE & RAIL SHOWER



**CONSTRUCTION:** Stainless Steel and Plastic

**SUPPLY:** Suitable for high pressure only

**INLET CONNECTIONS:** 1/2" BSP Female

**WORKING PRESSURES:** 1.0 - 5.0 bar

**CARTRIDGE/VALVE TYPE:**Thermostatic

- Manufactured from 304 grade stainless steel
- Smooth slider allows seamless transition from firm to gentle spray and everything in between
- Round 800mm Rail with adjustable mounting brackets to allow for retro-fit installation to existing holes
- Rub-clean silicon nozzles for ease of cleaning
- Height adjustable handset holder with twist lock slider
- Strong & durable 1.5m twist-free hose
- Safe cool to touch bar valve
- 38°C temperature hot stop with override facility

### TUCTSSWHUK

#### Open Outlet Flow (Bar - l/min)

BAR	0.3	0.5	1.0	2.0	3.0	4.0	5.0
HANDSET FLOW	N/A	N/A	9	9	9	9	9

### Stainless Steel



Please Note: Flow rate will be dictated by installation configurations.  
Please ensure to check the appropriate flow restrictor information if applicable.  
\*Please refer to website for full warranty details.

**FREEPHONE: 0800 195 1602 | FAX ORDERS: 08444 068 690 | EMAIL: SALES@UK.METHVEN.COM**

[methven.com](http://methven.com)

THE INFORMATION ON THIS SPECIFICATION DOCUMENT WAS CORRECT AT THE DATE OF ISSUE. SOME VARIATION MAY OCCUR DUE TO THE MANUFACTURING TOLERANCES AND SITE SPECIFIC CONDITIONS.