

# SHOWERS



## Shower Accessories

**Deva**<sup>TM</sup> by METHVEN

### Adjustable Riser Rail 1

Product Code: SPE14

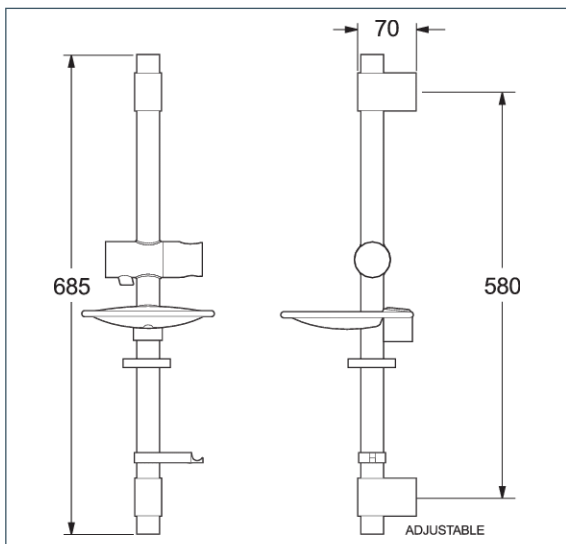
Finish: Chrome

#### Features

**Construction:** Stainless steel/ABS

**Inlet Connections:**

- Riser Rail Features Adjustable Brackets - Ideal For Retrofit
- Push Button Handset Slider



\*Please refer to website for full warranty details.



[www.deva-uk.com](http://www.deva-uk.com) · 0800 195 1602 · [sales@uk.methven.com](mailto:sales@uk.methven.com)