



Thermostatic

Sequential Basin Mixer

Product Code: SOL003

Finish: Chrome

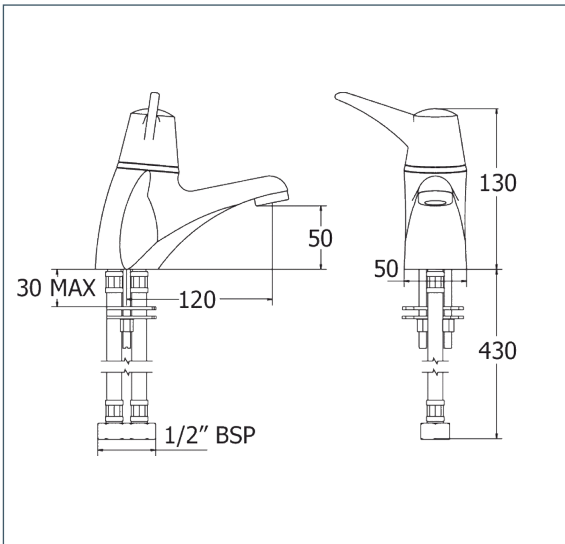
Features

- Construction:** Brass
- Valve/Cartridge type:** Thermostatic
- Supply:** Suitable For All Plumbing Systems
- Working Pressures:** 0.1 - 5.0 bar
- Inlet connections:** 1/2" BSP
- Flexi or Copper:** Flexi Tails

- Sequential Flow And Temperature Control For Ease Of Use
- Prevents Scalding By Accurately Controlling The Water Temperature



*Please refer to website for full warranty details.



Flow (Bar - l/min, open outlet)

Spout

Flow 0.1	Flow 0.3	Flow 0.5	Flow 1.0	Flow 2.0	Flow 3.0	Flow 4.0	Flow 5.0
2.4	4.1	5.7	8.5	12.5	15.6	18.3	20.8



2006075



NSF2147 rev.1