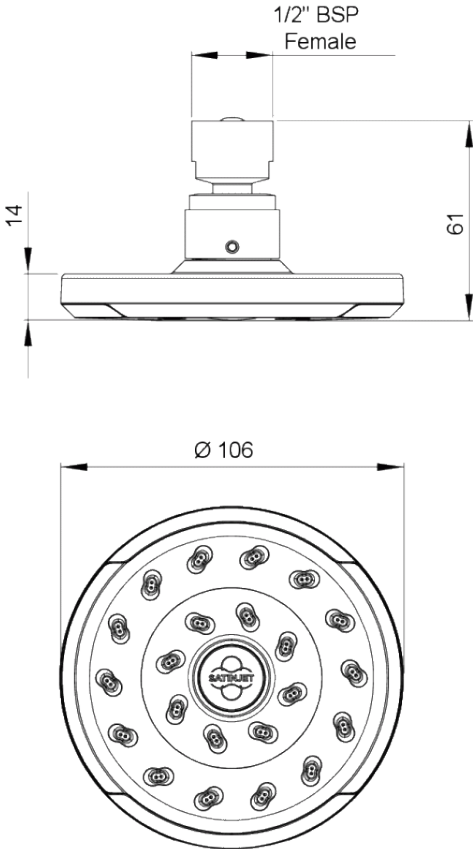


SATINJET KIRI SHOWER HEAD



CONSTRUCTION: ABS

SUPPLY: Suitable for all plumbing systems

INLET CONNECTIONS: 1/2" BSP

WORKING PRESSURES: 0.35 - 5.0 bar

CARTRIDGE/VALVE TYPE: N/A

- Swivel joint
- Water efficient without compromising performance
- Supplied with 9l/min flow regulator
- Satinjet® technology twin jets of water collide into thousands of tiny droplets to deliver voluminous shower coverage

SJK005

Chrome & Graphite

Open Outlet Flow (Bar - l/min)

BAR	0.3	0.5	1.0	2.0	3.0	4.0	5.0
HANSET FLOW	12.4	14.8	9	9	9	9	9



2005318



Please Note: Flow rate will be dictated by installation configurations.
Please ensure to check the appropriate flow restrictor information if applicable.
*Please refer to website for full warranty details.

FREEPHONE: 0800 195 1602 | FAX ORDERS: 08444 068 690 | EMAIL: SALES@UK.METHVEN.COM

methven.com

THE INFORMATION ON THIS SPECIFICATION DOCUMENT WAS CORRECT AT THE DATE OF ISSUE. SOME VARIATION MAY OCCUR DUE TO THE MANUFACTURING TOLERANCES AND SITE SPECIFIC CONDITIONS.