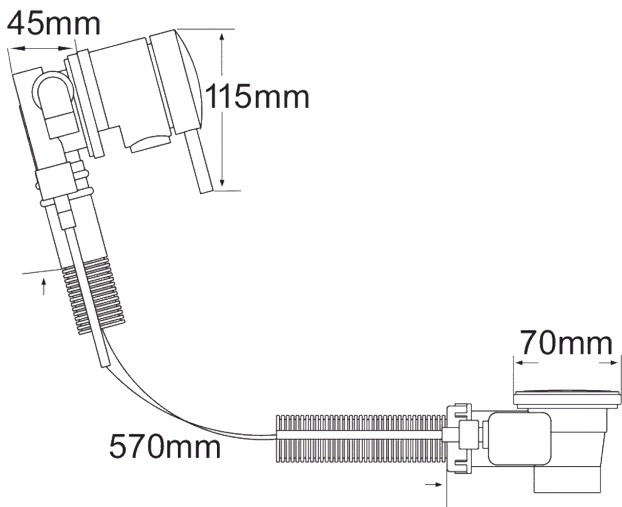


1½” BATH FILL AND OVERFLOW WASTE STAINLESS STEEL”



CONSTRUCTION: Brass
CARTRIDGE/VALVE TYPE: N/A
SUPPLY:
INLET CONNECTIONS:
WORKING PRESSURES:
OPERATION:

PUW206SS

Stainless Steel

Open Outlet Flow (Bar - l/min)

BAR	0.3	0.5	1.0	2.0	3.0	4.0	5.0
SPOUT FLOW	9.8	12.8	18.9	26.9	32.6		



Please Note: Flow rate will be dictated by installation configurations.
 Please ensure to check the appropriate flow restrictor information if applicable.
 *Please refer to website for full warranty details.

FREEPHONE: 0800 195 1602 | FAX ORDERS: 08444 068 690 | EMAIL: SALES@UK.METHVEN.COM

methven.com

THE INFORMATION ON THIS SPECIFICATION DOCUMENT WAS CORRECT AT THE DATE OF ISSUE. SOME VARIATION MAY OCCUR DUE TO THE MANUFACTURING TOLERANCES AND SITE SPECIFIC CONDITIONS.