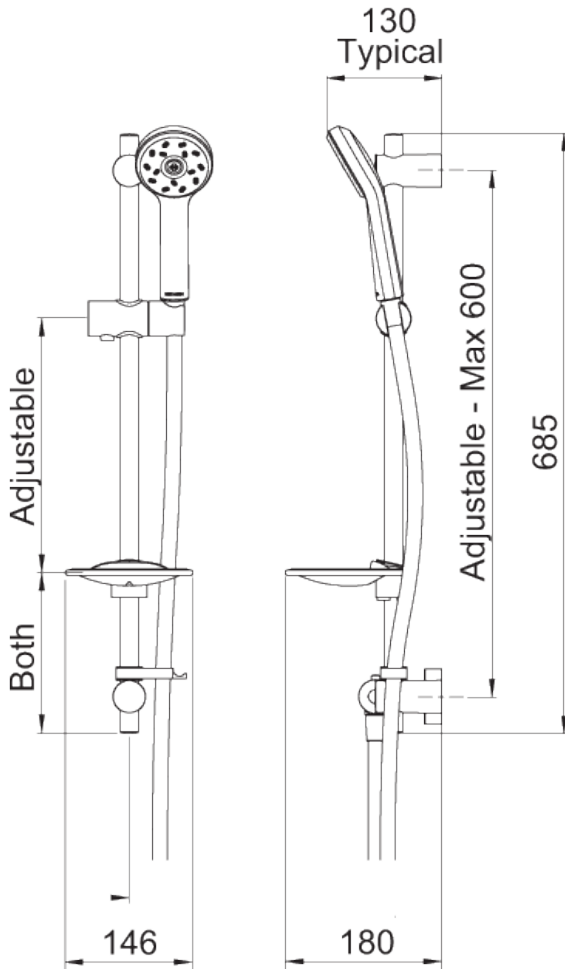


MAKU SHOWER KIT



CONSTRUCTION: Stainless steel/ABS
SUPPLY: Suitable for all plumbing systems
INLET CONNECTIONS: 1/2" BSP
WORKING PRESSURES: 0.35 - 5.0 bar

- Suitable for all showers
- Ideal for use with electric showers
- Riser rail features adjustable brackets - ideal for retrofit
- Smooth easy clean 1.5m hose
- Supplied with 9l/min flow regulator
- Lifetime warranty on handset, 1 year on rail kit

MK1

Chrome & Graphite

Open Outlet Flow (Bar - l/min)

BAR	0.3	0.5	1.0	2.0	3.0	4.0	5.0
HANDBSET FLOW	6.7	8	9	9	9	9	9



&\$\$ - - \$+



Please Note: Flow rate will be dictated by installation configurations.
 Please ensure to check the appropriate flow restrictor information if applicable.
 *Please refer to website for full warranty details.

FREEPHONE: 0800 195 1602 | FAX ORDERS: 08444 068 690 | EMAIL: SALES@UK.METHVEN.COM

methven.com

THE INFORMATION ON THIS SPECIFICATION DOCUMENT WAS CORRECT AT THE DATE OF ISSUE. SOME VARIATION MAY OCCUR DUE TO THE MANUFACTURING TOLERANCES AND SITE SPECIFIC CONDITIONS.