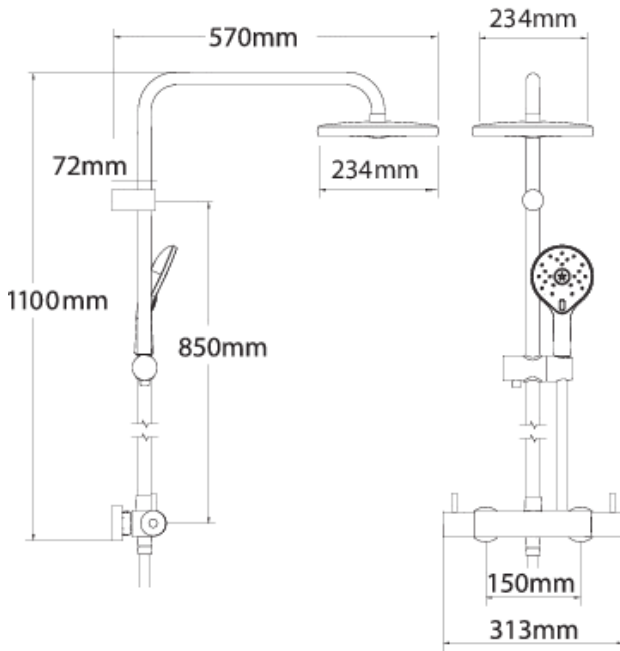


KAHA CHROME COOL TOUCH DIVERTER & ADJUSTABLE RAIL



CONSTRUCTION: Brass & ABS
CARTRIDGE/VALVE TYPE: Ceramic Disc
SUPPLY: Suitable For High Pressure Systems
INLET CONNECTIONS: 15mm Compression
WORKING PRESSURES: 1.0 - 5.0 bar
OPERATION: Separate Flow And Temperature Controls

- Safe Cool To Touch Body
- 38°C Hot Stop With Override Facility
- Includes Easy Fit Connections
- Includes Satinjet Overhead And Kaha Satinjet Handset
- Two Types Of Spray - Satinjet Body Shower Or Massage
- Riser Height Can Be Adjusted To Suit Your Bathroom

KHCTADEF

Chrome

Open Outlet Flow (Bar - l/min)

BAR	0.3	0.5	1.0	2.0	3.0	4.0	5.0
HANDSET FLOW	6.2	7.4	7.3	7.4	7.7	8	0
OVERHEAD FLOW	0	0	9	9	9	9	9



2201736

2204348



2201736

Please Note: Flow rate will be dictated by installation configurations.
 Please ensure to check the appropriate flow restrictor information if applicable.
 *Please refer to website for full warranty details.

FREEPHONE: 0800 195 1602 | FAX ORDERS: 08444 068 690 | EMAIL: SALES@UK.METHVEN.COM

methven.com

THE INFORMATION ON THIS SPECIFICATION DOCUMENT WAS CORRECT AT THE DATE OF ISSUE. SOME VARIATION MAY OCCUR DUE TO THE MANUFACTURING TOLERANCES AND SITE SPECIFIC CONDITIONS.