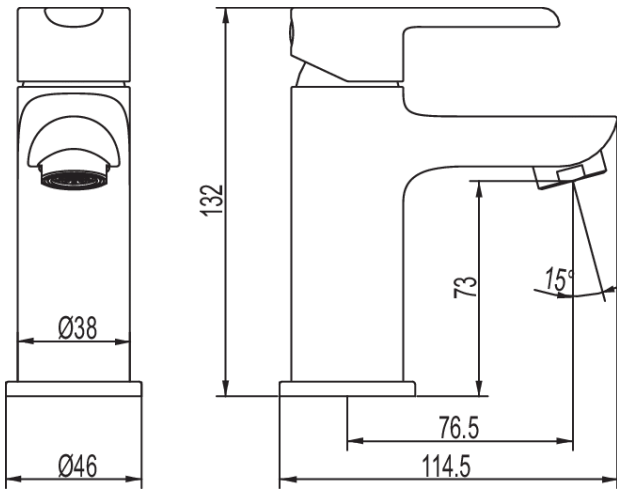


KEA MINI MONO BASIN MIXER



CONSTRUCTION: Brass

CARTRIDGE/VALVE TYPE: Ceramic Cartridge

SUPPLY: Suitable For Low Pressure Systems

INLET CONNECTIONS: 1/2" BSP

WORKING PRESSURES: 0.1 - 5.0 bar

OPERATION: Single lever flow and temperature control

- Ceramic Cartridge For Smooth Operation
- Slim Stream Aerator With Directional Swivel
- Products Which Are Easy To Use By All The Family

KEBMCPUK

Chrome

Open Outlet Flow (Bar - l/min)

BAR	0.1	0.3	0.5	1.0	2.0	3.0	4.0	5.0
SPOUT FLOW	2.1	3.2	4.3	6.3	9	11	12.8	14.3



2003701



2006807



Please Note: Flow rate will be dictated by installation configurations.
Please ensure to check the appropriate flow restrictor information if applicable.
*Please refer to website for full warranty details.

FREEPHONE: 0800 195 1602 | FAX ORDERS: 08444 068 690 | EMAIL: SALES@UK.METHVEN.COM

methven.com

THE INFORMATION ON THIS SPECIFICATION DOCUMENT WAS CORRECT AT THE DATE OF ISSUE. SOME VARIATION MAY OCCUR DUE TO THE MANUFACTURING TOLERANCES AND SITE SPECIFIC CONDITIONS.