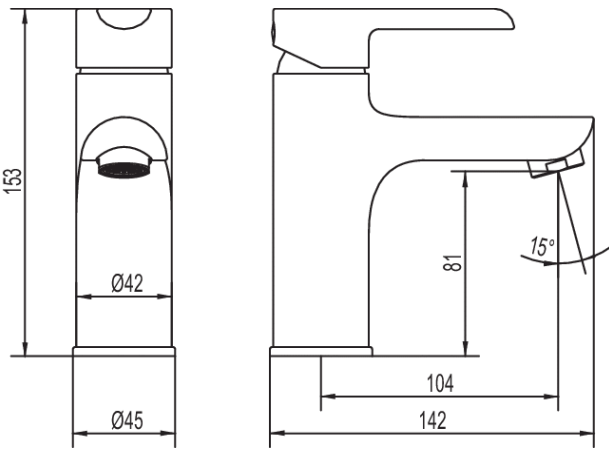


## KEA MONO BASIN MIXER



**CONSTRUCTION:** Brass

**CARTRIDGE/VALVE TYPE:** Ceramic cartridge

**SUPPLY:** Suitable for all plumbing systems

**INLET CONNECTIONS:** 1/2" BSP

**WORKING PRESSURES:** 0.2 - 5.0 bar

**OPERATION:** Single lever flow and temperature control

- Ceramic cartridge for smooth operation
- Slim stream aerator with directional swivel
- Includes 7l/min flow regulator fitted
- Includes clicker waste
- Products which are easy to use by all the family

### KEBCPUK

#### Open Outlet Flow (Bar - l/min)

| BAR        | 0.3 | 0.5 | 1.0 | 2.0 | 3.0 | 4.0 | 5.0 |
|------------|-----|-----|-----|-----|-----|-----|-----|
| SPOUT FLOW | 4.8 | 5.6 | 7   | 7   | 7   | 7   | 7   |

### Chrome



2004357



Please Note: Flow rate will be dictated by installation configurations.  
Please ensure to check the appropriate flow restrictor information if applicable.  
\*Please refer to website for full warranty details.

**FREEPHONE: 0800 195 1602 | FAX ORDERS: 08444 068 690 | EMAIL: SALES@UK.METHVEN.COM**

[methven.com](http://methven.com)

THE INFORMATION ON THIS SPECIFICATION DOCUMENT WAS CORRECT AT THE DATE OF ISSUE. SOME VARIATION MAY OCCUR DUE TO THE MANUFACTURING TOLERANCES AND SITE SPECIFIC CONDITIONS.