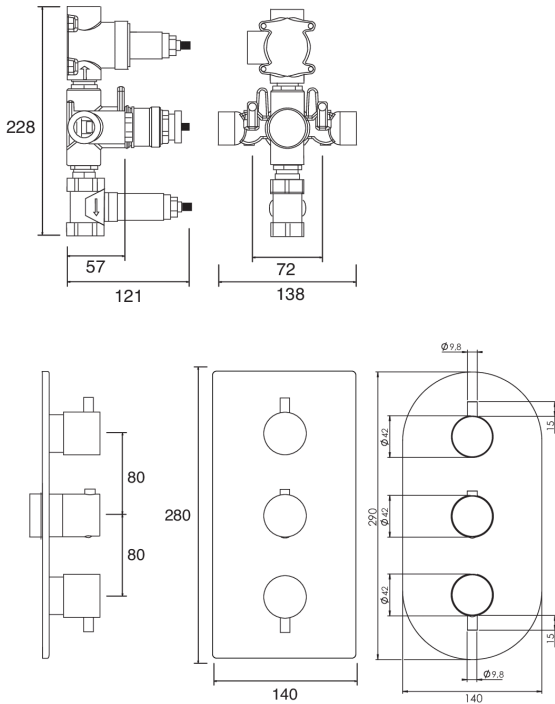


KAHA THREE OUTLET CONCEALED SHOWER - ABS



CONSTRUCTION: Brass & ABS

CARTRIDGE/VALVE TYPE: Thermostatic

SUPPLY: Suitable For Low Pressure Systems

INLET CONNECTIONS: 1/2" BSP

WORKING PRESSURES: 0.2 - 5.0 bar

OPERATION: Separate Flow And Temperature Controls

- Diverter Cartridge To Two Outlets And Separate Stopcock For Bathfill
- 38°C Temperature Hot Stop With Override Facility
- Rectangular Abs Concealing Plate
- Front Access Filters - No Need To Disconnect Shower From Water Supply During Maintenance
- Concealed Shower Spindle Extension Available
- Can Be Purchased As Seperate Valve And Trims - Valve 3D & Tr Kaha 3Da

KAHA-3DA

Chrome

Open Outlet Flow (Bar - l/min)

BAR	0.1	0.3	0.5	1.0	2.0	3.0	4.0	5.0
FLOW	6.1	11.8	15.7	22.6	32.5	40	46.2	51.4



2305702



2309311



2201736

Please Note: Flow rate will be dictated by installation configurations.
Please ensure to check the appropriate flow restrictor information if applicable.
*Please refer to website for full warranty details.

FREEPHONE: 0800 195 1602 | FAX ORDERS: 08444 068 690 | EMAIL: SALES@UK.METHVEN.COM

methven.com

THE INFORMATION ON THIS SPECIFICATION DOCUMENT WAS CORRECT AT THE DATE OF ISSUE. SOME VARIATION MAY OCCUR DUE TO THE MANUFACTURING TOLERANCES AND SITE SPECIFIC CONDITIONS.