

## Warranty Information

Proof of purchase will be required.

The guarantee does not cover faults or damage caused by incorrect installation and/or maintenance, ordinary wear and tear, water composition, etc.

\*Please see [www.methven.com](http://www.methven.com) for full terms and conditions of warranty.

## Cleaning

Your product has a high-quality finish and should be treated with care to preserve the visible surfaces. Never use abrasives or abrasive cleaning agents to clean this product. Clean regularly with contamination free warm water and a damp soft cloth. Do not use products containing chlorine bleach or hydrochloric acid as these can damage the product.

We have a policy of continuous improvement and reserve the right to change specifications without notice.

METHVEN UK LIMITED

METHVEN EXPERIENCE CENTRE  
3/3A STONE CROSS COURT YEW  
TREE WAY  
GOLBORNE  
WARRINGTON  
WA3 3JD  
UNITED KINGDOM

INST-HASMCP  
08.10.2020

TEL: 0800 195 1602  
FAX: 0844 406 8690  
EMAIL: [sales@uk.methven.com](mailto:sales@uk.methven.com)  
[www.deva-uk.com](http://www.deva-uk.com)  
[www.methven.com](http://www.methven.com)

# Hawei Flexi Sink Mixer

## HASMCP

## Installation Guide

---

### Technical Specification

#### Working Pressure:

Min: 1.0 Bar

Max: 5.0 Bar

#### Operating Temperature:

Hot: 65°C

Cold: 5°C

#### Inlet Connections:

½" BSP

#### Features:

- On trend design perfectly complements contemporary kitchens
- Versatile pull down nozzle is ideal for rinsing pots and pans
- Lever handle is simple to use for all the family – tilt and turn temperature & flow control
- Fitted with a ceramic cartridge for easy operation and longevity
- Optimised to operate at 6 litres per minute in order to save water
- Chrome plated finish
- In full colour packaging



**METHVEN**  
[www.methven.com](http://www.methven.com) EST 1886

## Contents

Congratulations on your purchase of your new Methven Flexi Sink Mixer. Our fitting instructions have been created with you in mind to provide you with all the information you require and, if you need any further help, please don't hesitate to contact our customer care team on 0800 195 1602.

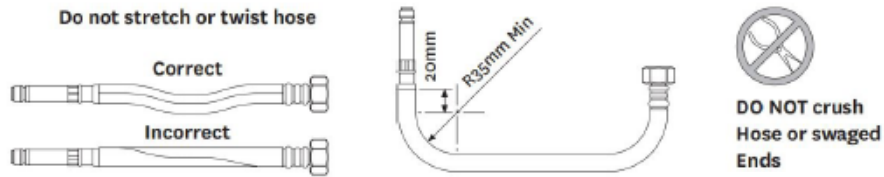
|                            |   |
|----------------------------|---|
| General Safety Information | 3 |
| Line Drawing               | 3 |
| Product Breakdown          | 4 |
| Product Breakdown          | 4 |
| Installation Requirements  | 6 |
| Installation               | 6 |
| Troubleshooting            | 7 |
| Warranty Information       | 8 |
| Cleaning                   | 8 |

## Troubleshooting

| Symptom                       | Cause(s)  | Resolution   |
|-------------------------------|---|--|
| Mixer not turning on          | Mains Water supply turned off   | Turn on the mains water supply   |
|                               | Closed isolation valve  | Open isolation valve   |
| No hot water                  | Cold override   | Check if the pressure is balanced. Fit pressure equalising valve.                |
| Low Flow Rate/No Flow         | Water supply failure  | Investigate water supply, check plumbing and heating system for any faults       |
|                               | Partially closed isolation valve  | Open isolation valve   |
|                               | Air lock or partial blockage in the supply pipework or hoses  | Flush through pipework to ensure removal of debris and any airlocks.             |
|                               | Water being drawn off elsewhere causing pressure changes or instantaneous boiler temperature changes. Ensure minimum pressure is being met. | Try not to use other water outlets when using the mixer                          |
| Water dripping from the mixer | This is normal for a short time after using the mixer   | This is due to residual water tension, the build up of water in the mixer spout. |
|                               | If water continues to drip, possible issue with the flow control cartridge.   | Please contact our customer care team.   |
| Movement of fitted mixer      | Fixing kit loose  | Ensure fixing kit nut is sufficiently tightened.                                 |
|                               | Extra support may be required depending on the surface the tap is fitted to.  | Please contact customer care to purchase a under sink mounting triangle          |

## Installation Requirements

Before commencing installation of the new product, ensure that the system has been flushed to remove any debris, which could cause damage to the valves and invalidate the warranty.



## Installation

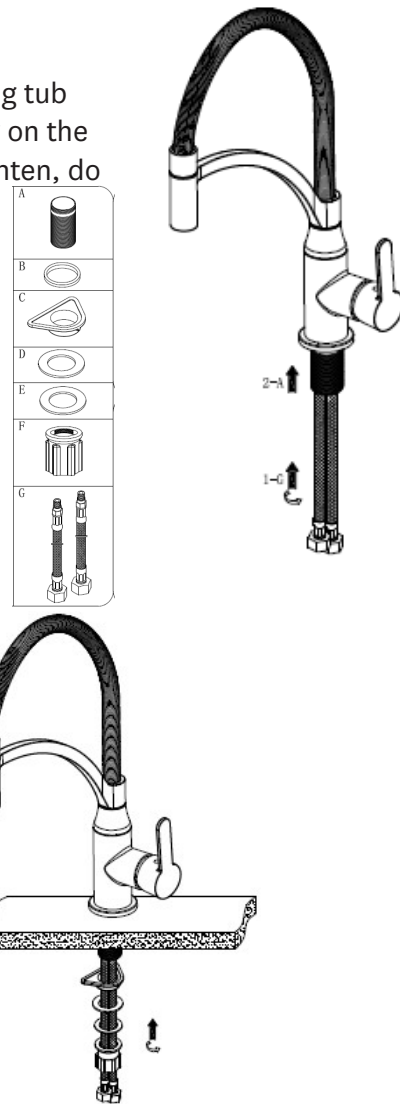
1, Put the O-Ring (B) into the base ring  
 2, Pass both Flexi Tails (G) through the S.S fixing tub (A) into the tap body, ensuring that the O-Ring on the tail is positioned inside the tap body. Hand tighten, do not use PTFE tape or similar to create the seal.

3, Offer the tap up to the hole in the sink  
 4, On the underside of the sink fit the Triangle fixing board (C) rubber gasket (D) and S.S gasket (E) on to the s.s. fixing tub (A)

**Note: Plastic Triangle Fixing Board** - This should be used on thin work surfaces to help distribute the weight of the tap and provide a thicker mounting surface for the fixing kit to clamp to.

5, Install the plastic fixing nut (F) and fasten on to the s.s. Fixing tub (A) by hand

6, Connect the male end of the tail to the corresponding hot and cold inlets.  
 7, Reinststate water supply and test for leaks.



Please keep these instructions for future reference and request of replacement parts

## General Safety Information

Please read all of the instructions before installation.

Methven recommends this product is installed by a competent person in compliance with all relevant regional regulations.

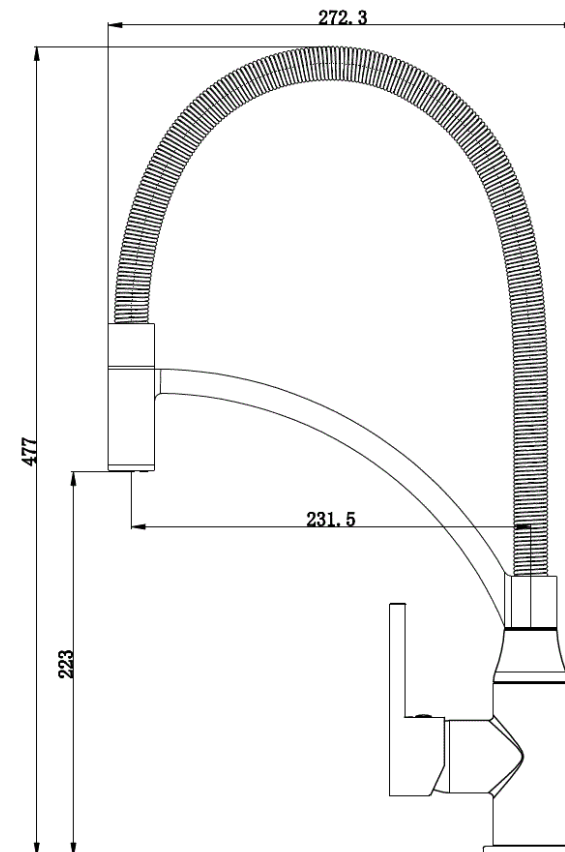
Remove all packaging and check the components for damage before starting installation.

This product **must** not be modified in any way as this will invalidate the guarantee.

It is the responsibility of the installer to ensure a waterproof seal is achieved, after installation all connections must be checked for leaks.

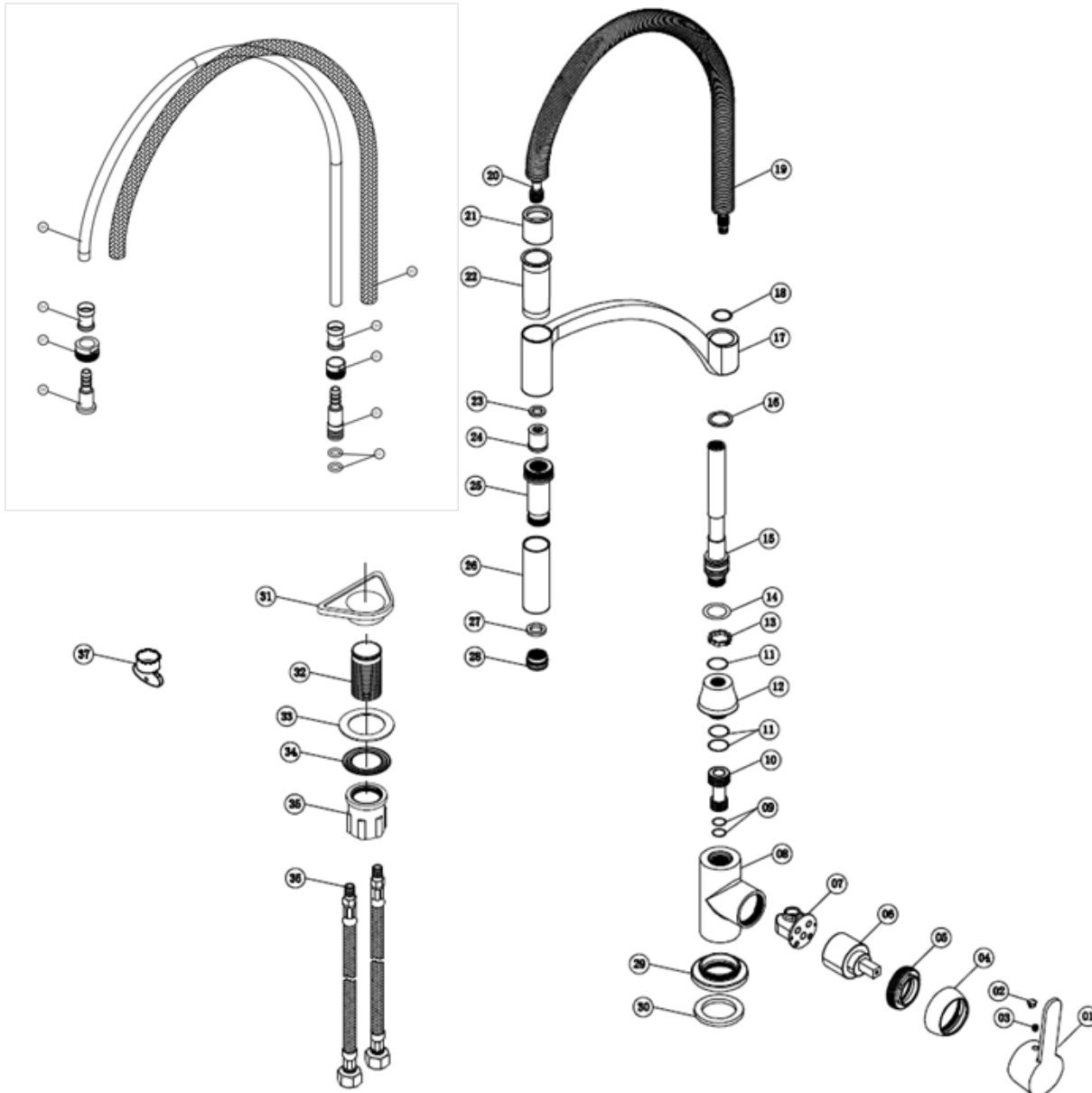
All outlets used primarily for personal hygiene shall deliver water at a safe temperature as per regional regulations.

## Line Drawing



## Product Breakdown

Check All components are present prior to starting installation.



| Part No | Description        |
|---------|--------------------|
| 1       | Handle             |
| 2       | Screw              |
| 3       | Indicator          |
| 4       | Cartridge Cap      |
| 5       | Hex Nut            |
| 6       | Cartridge          |
| 7       | Cartridge Base     |
| 8       | Body               |
| 9       | O-Ring             |
| 10      | Connector          |
| 11      | O-Ring             |
| 12      | Upper Part of Body |
| 13      | Plastic Ring       |
| 14      | O-Ring             |
| 15      | Brass Outlet Tub   |
| 16      | Friction Gasket    |
| 17      | Bracket            |
| 18      | Plastic Gasket     |
| 19      | Spring Tub         |
| 20      | Shower Hose        |
| 21      | Brass part         |
| 22      | Plastic Cover      |
| 23      | Rubber Gasket      |
| 24      | Check Valve        |

| Part No | Description                   |
|---------|-------------------------------|
| 25      | Inside Part of Hand Shower    |
| 26      | Body of Hand Shower           |
| 27      | Aerator Gasket                |
| 28      | Aerator                       |
| 29      | Base Ring                     |
| 30      | Gasket for Base Ring          |
| 31      | Plastic Triangle Fixing Board |
| 32      | S.S Fixing Tub                |
| 33      | Rubber Fixing Gasket          |
| 34      | S.S Fixing Gasket             |
| 35      | Fixing Nut                    |
| 35      | Flexible Hose                 |
| 36      | Aerator Key                   |

| Shower Hose Parts |                  |
|-------------------|------------------|
| Part No           | Description      |
| 1                 | O-Ring           |
| 2                 | Brass Connector  |
| 3                 | Brass Part       |
| 4                 | Compression ring |
| 5                 | Nylon Yarn       |
| 6                 | Inside Tub       |
| 7                 | Thread Sleeve    |
| 8                 | Connector        |