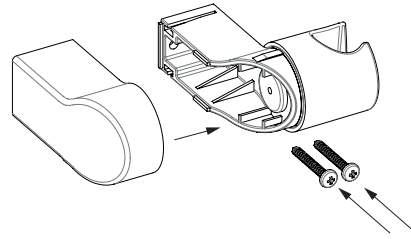


Step 5

- Remove the cover from the handset mounting bracket.
- Position the handset mounting bracket where required and secure in place using the screws.
- Ensure a waterproof seal is achieved between the bracket and mounting surface.
- Refit the cover onto the handset mounting bracket.



Note: When selecting the position of the handset mounting bracket, ensure that shower hose is not stretched or subjected to tight bends.

Care and Cleaning:

Never use abrasives or abrasive cleaning agents to clean this product. Clean regularly with contamination free warm soapy water and a damp soft cloth.

Methven warrants this product against manufacturing defects and that it is suitable for use under the general operating conditions specified in this instruction sheet. However, regional regulations apply and may affect your warranty. Please refer to www.methven.com or call customer service for full details.

New Zealand
0800 804 222

Australia
1300 638 483

UK
0800 195 1602

439863

ISSUE A

BATH AND SHOWER MIXER

Installation Guide

Technical Specifications:

Operating Pressure:

Min: 50kPa/0.5bar

Max: 1000kPa/10bar*

Optimum: 150kPa/1.5bar - 500kPa/5bar

Operating Temperature:

Hot: Max 70°C*

Cold: Min 5°C

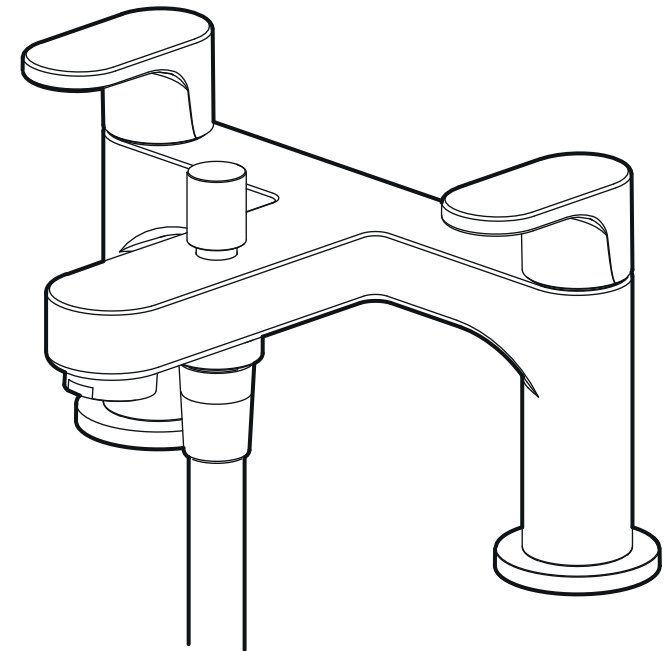
Inlet Connections:

All 3/4" BSP

* Regional specific regulations apply.

Please refer to your warranty statement at

www.methven.com

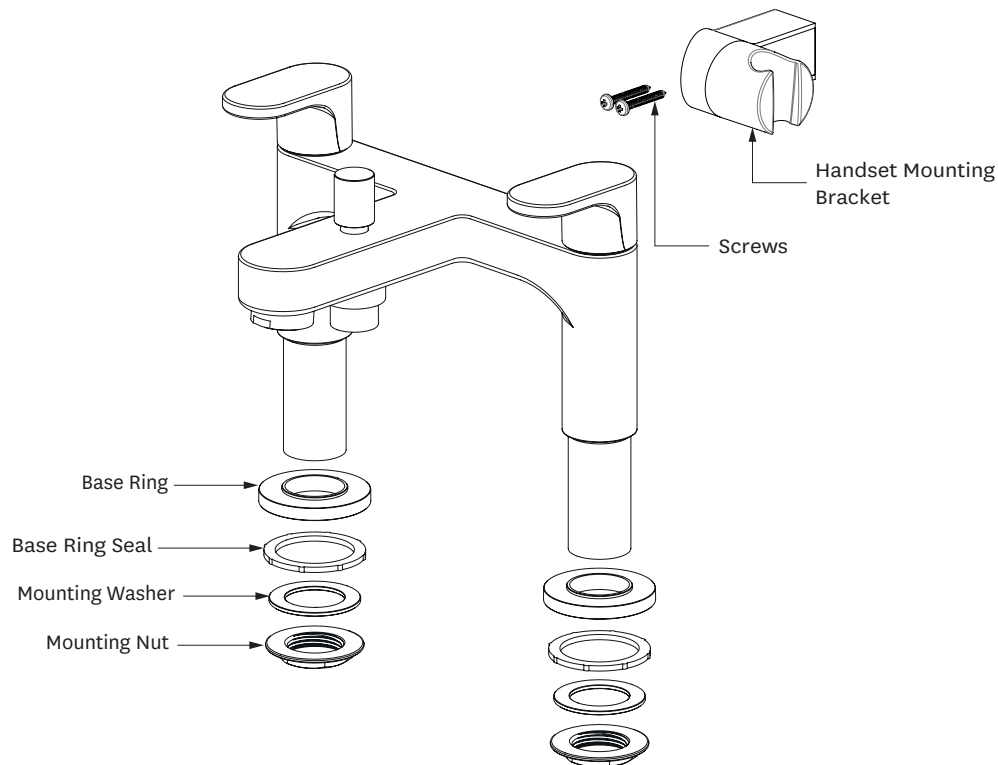


METHVEN
www.methven.com

IMPORTANT: Please read all of the instructions before installation.

General:

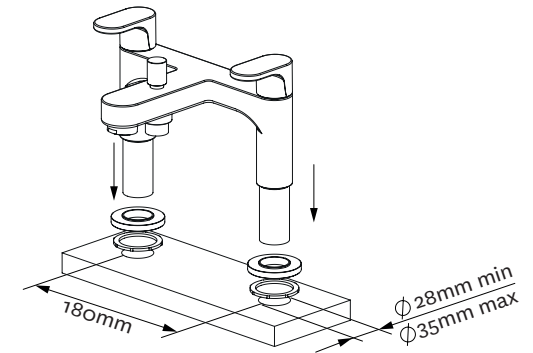
- Methven recommends this product is installed by a licensed plumber in compliance with all relevant regional regulations.
- Do not hydrostatic test the installation with this mixer installed. Damage to the ceramic cartridges may occur.
- All pipe work must be thoroughly flushed prior to the installation of the mixer.
- Do not remove the ceramic cartridges from the mixer when installing.
- After installation all connections must be checked for leaks.
- All outlets used primarily for personal hygiene shall deliver water at a safe temperature as per regional regulations.
- This mixer is not recommended for use in uncontrolled heating systems such as wet-backs or solar heating units unless a suitable tempering valve is fitted.
- If limited water flow is experienced, locate aerator and filter washers and clean away foreign material as required.
- It is the responsibility of the installer to ensure a waterproof seal is achieved between the product and mounting surface. If in doubt about the quality of the seal, remove the product and reinstall using silicone to ensure a seal is achieved.



IMPORTANT: Before you begin, turn off the water supply.

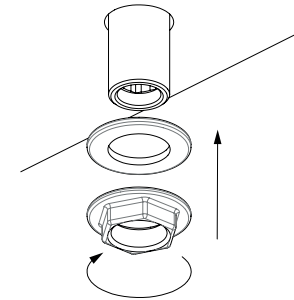
Step 1

- Insert base ring seals into the grooves in the bottom of the base rings.
- Place the base rings over the holes in the bath ensuring that the seals remain in place.
- Feed the mixer inlet tubes through the base rings and bath holes, and position the mixer where required.



Step 2

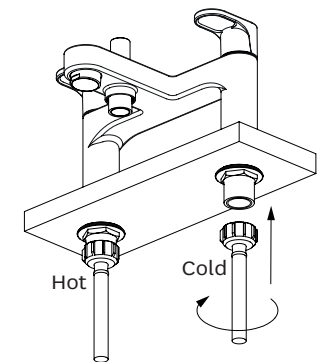
- Fit the mounting washers and mounting nuts onto the inlet tubes from under the mounting surface.
- Tighten the mounting nuts to secure the mixer in position.



Step 3

- Flush all pipe-work thoroughly prior to the next step.
- Connect mixer inlet tubes to hot and cold supplies ensuring a good seal at each joint.
- Leak test installation.

The seal integrity of pipe joints are the responsibility of the installing plumber.



Step 4

- Connect the shower hose to the diverter connector.
- Connect other end of the shower hose to handset.

