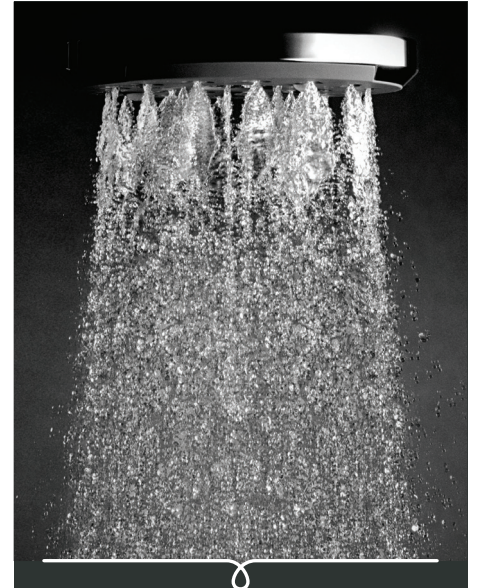


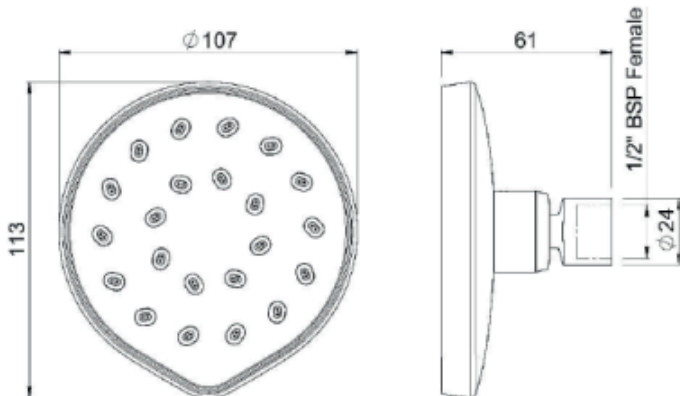
### Satinjet®

#### KIRI II WALL SHOWER ROSE



Satinjet®. The unmistakable feeling of 300,000 droplets per second.

Unlike conventional showers, Satinjet uses unique twin-jet technology to create optimum water droplet size and pressure, with over 300,000 droplets per second providing greater warmth and coverage. The result is an immersive, full-body experience.



**CONSTRUCTION:** Brass bracket

**CLASSIFICATION:** Suitable for all pressure systems

**INLET CONNECTIONS:** 1/2" BSP Female

**WORKING PRESSURE:** 35 - 500kPa

**OPERATING TEMPERATURE:** 5 °C - 70 °C

- Low maintenance single function Satinjet® shower
- Easy clean coating on faceplate
- Optimized to 9.0 l/pm
- 3 star WELS rated on mains pressure (8.5 l/m)
- 2 star WELS rated on low pressure (11.0 l/m)

KRWSCPGR

Graphite faceplate

<http://www.methven.com/nz/kiri-satinjet-wall-shower>