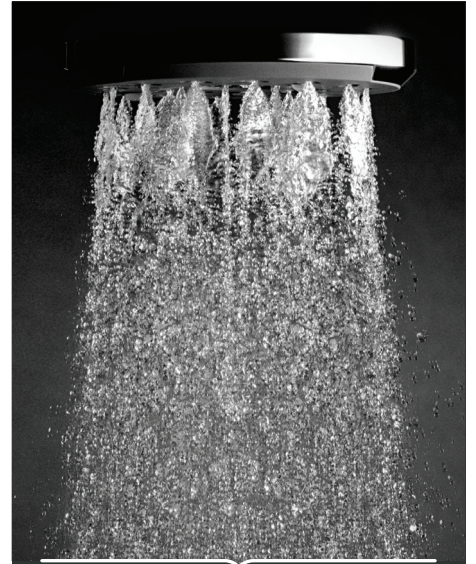


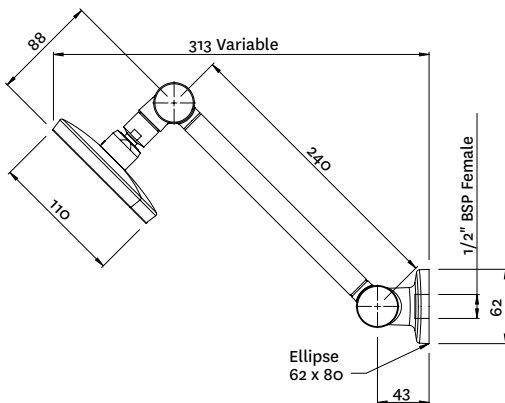
### Satinjet®

#### KIRI II HI RISE SHOWER



Satinjet®. The unmistakable feeling of 300,000 droplets per second.

Unlike conventional showers, Satinjet uses unique twin-jet technology to create optimum water droplet size and pressure, with over 300,000 droplets per second providing greater warmth and coverage. The result is an immersive, full-body experience.



**CONSTRUCTION:** Brass arm

**CLASSIFICATION:** Suitable for **all pressure** systems

**INLET CONNECTIONS:** 1/2" BSP Female

**WORKING PRESSURE:** 35 - 500kPa

**OPERATING TEMPERATURE:** 5 °C - 70 °C

- Low maintenance single function Satinjet® shower
- Easy clean coating on faceplate
- Stylish and durable, height adjustable, hi rise arm that will never droop or leak
- Easy positioning with just one hand, no tightening required
- Optimized at 9.0 l/pm
- 3 star WELS rated on mains pressure (8.5 l/m)
- 3 star WELS rated on low pressure (6.5 l/m)

KRHRCPGR

Graphite faceplate

<http://www.methven.com/nz/kiri-satinjet-hi-rise-shower>