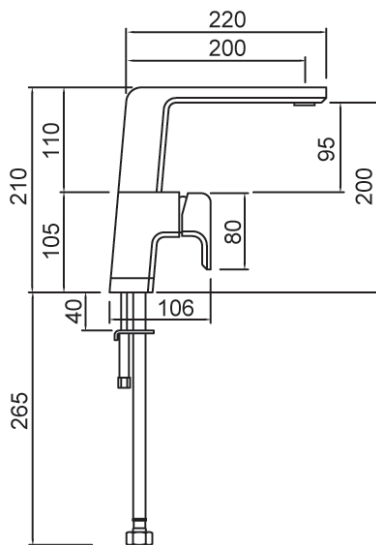


KIRI SINK MIXER



CONSTRUCTION: Brass body

CARTRIDGE: Ceramic

CLASSIFICATION: Suitable for **all pressure** systems

INLET CONNECTIONS: 1/2" BSP Female

WORKING PRESSURE: 35 - 1000kPa

DIMENSIONS FOR FITTING: 35 - 38mm diameter hole

OPERATING TEMPERATURE: 5 °C - 80 °C

WATERFLOW RATE: 6.5 l/m

- Swivel spout 180°
- Non return valve prevents cross feeding
- Maximal bench thickness of 40mm
- Slim stream shape aerator
- Stainless steel flexible inlet hoses
- 4 star WELS rated on mains pressure (6.5 l/m)
- 4 star WELS rated on low pressure (7.5 l/m)

KIKCP

Chrome

<http://www.methven.com/nz/kiri-sink-mixer-o>