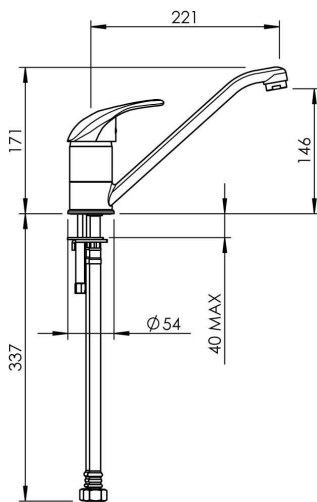


CELESTE SINK MIXER



CONSTRUCTION: Brass body

CARTRIDGE TYPE: SP033510 ceramic cartridge

CLASSIFICATION: Suitable for **all pressures**

INLET CONNECTIONS: 1/2" BSP Female

WORKING PRESSURE: 35 - 1000kPa

DIMENSIONS FOR FITTING: 35 mm diameter hole

OPERATING TEMPERATURE: 5 °C - 80 °C

WATER FLOW RATE: 9.0 l/m low pressure - 8.0 l/m high pressure

- Stainless steel flexible hoses for installation
- Flow director and aerator supplied
- Integral non-return valve present cross feeding
- Swivel spout
- Twin stud mounting
- 3 star WELS rated on mains pressure (8.0 l/pm)
- 3 star WELS rated on low pressure (9.0 l/pm)
- Bench top cannot exceed 40 mm thickness

TPKCP2

Chrome

<http://www.methven.com/nz/celeste-sink-mixer>