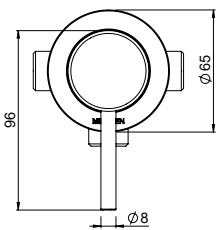
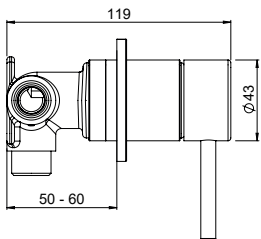
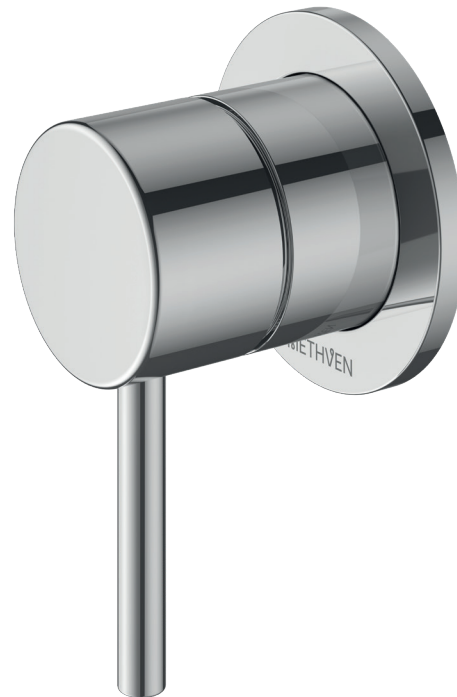


METHVEN

MINIMALIST MK2



MINIMALIST MK2 SHOWER DIVERTER



CONSTRUCTION: Brass

CLASSIFICATION: Suitable for **mains/high pressure** only

INLET CONNECTIONS: Female

OUTLET CONNECTION: N/A

WORKING PRESSURES: 150 - 500kPa

DIMENSIONS FOR FITTING: N/A

OPERATING TEMPERATURE: 5°C - 80°C

- Durable brass body construction
- New Zealand designed and engineered
- Suitable for water pressure between 150-500 kpa
- Note the product assembly consists of separate Universal In-wall Body Kit & Trim Kit

MNDKP

Chrome

MNDBK

Matte Black

MNDNK

Brushed Nickel

THE METHVEN GUARANTEE. For total peace of mind, all domestic tapware products include a 20 Year Parts and Labour Guarantee. For commercial installations, a 5 Year Guarantee on Parts and Labour applies. For full terms and conditions, visit www.methven.com.