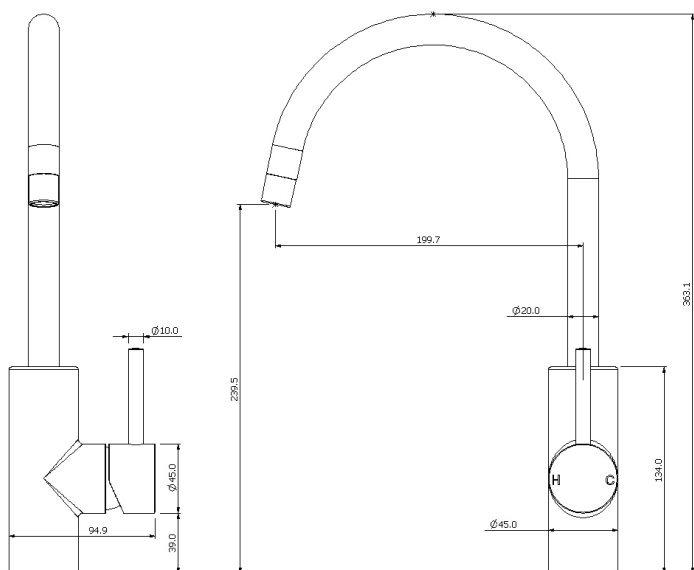


ECHO MINIMALIST SINK MIXER



CONSTRUCTION: Brass body

CARTRIDGE TYPE: Ceramic

CLASSIFICATION: Suitable for mains pressure only

INLET CONNECTIONS: 1/2" BSP male

WORKING PRESSURE: 150 - 1000kPa

DIMENSIONS FOR FITTING: 35 mm diameter hole

OPERATING TEMPERATURE: 5 °C - 80 °C

- Solid brass construction for longevity
- Twin stud mounting for secure basin installation
- Stainless steel flexible inlet hoses
- Fixed cast spout fitted with aerator
- 4 star WELS rating on 7 l/m

EM8105

Chrome

<http://www.methven.com/nz/echo-minimalist-goose-neck-sink-mixer>