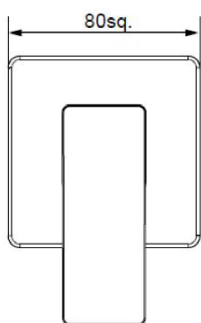
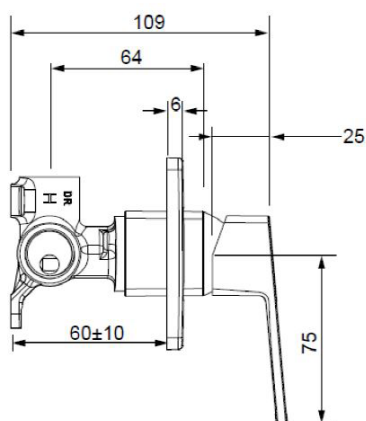


## BLAZE SHOWER MIXER



**CONSTRUCTION:** Brass body

**CARTRIDGE TYPE:** 25 mm ceramic

**SUPPLY:** Suitable for **mains pressure only**

**INLET CONNECTIONS:** 1/2" BSP Female

**WORKING PRESSURE:** 150 - 1000kPa

**DIMENSIONS FOR FITTING:** 70 mm diameter hole

**OPERATING TEMPERATURE:** 5 °C - 80 °C

- Easy to grip handle
- Solid brass construction for longevity
- Fixed metal dome covers to reduce missing parts
- 3 brass mounting feet on mixer body
- Tiling template included with mixer body

**BLHPSCP**

**Chrome**

**BLHPSBK**

**Matte Black**

<https://www.methven.com/nz/blaze-shower-mixer>