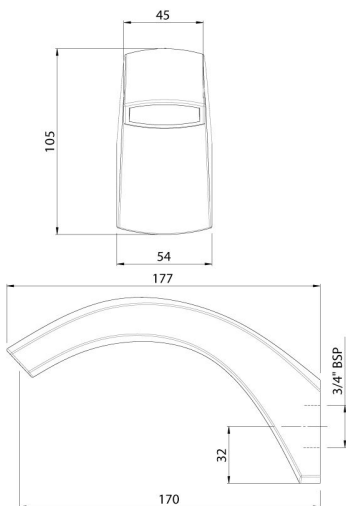


## METHVEN WATERFALL BATH SPOUT



**CONSTRUCTION:** Brass body

**CLASSIFICATION:** Suitable for all pressure systems

**PIPE CONNECTION:** 1/2" BSP Male

**WORKING PRESSURE:** 150 - 1000 kPa

**OPERATING TEMPERATURE:** 5 °C - 80 °C

- Hob mounted spa spout
- Cast brass
- 120mm spout projection

388CP

Chrome

<http://www.methven.com/nz/tapware/spouts/spouts-bath-spout>