

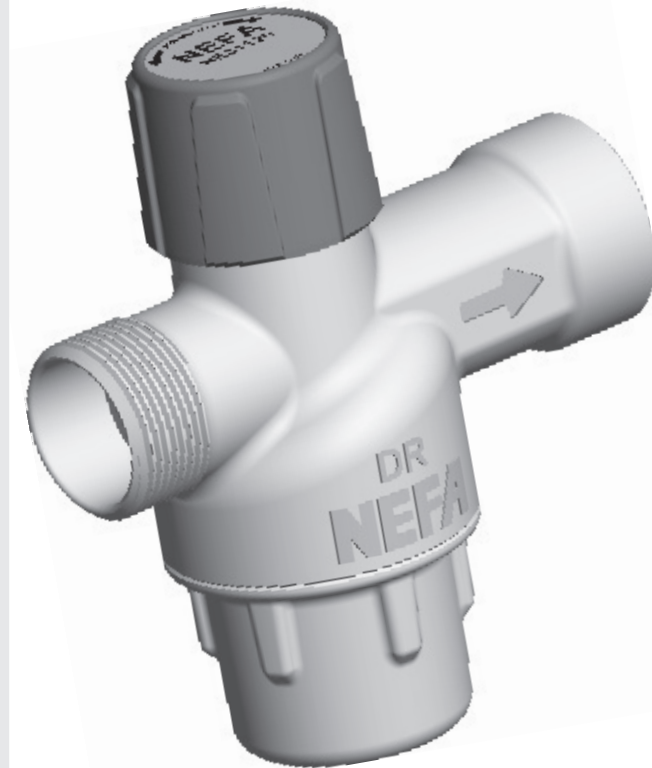
Diagrams for illustrative purposes only

METHVEN

Made in New Zealand by Methven Limited,
Private Bag 19996, Avondale, Auckland, NZ.

For product assistance, technical and sales enquiries contact Methven Limited
Ph: 0800 804 222
Fax: 0800 805 222

- NZS 4608 Compliance
- Prevents damage to hot water system by filtering foreign particles.
- Filter can be cleaned without shutting off any other valve.
- 60 Mesh stainless steel filter ensures efficient capture of foreign particles.
- Built-in non return function prevents back-flow.
- Design allows for extremely high flow rates.



**20mm 3-IN-1 FILTER
STOPCOCK AND
NON-RETURN VALVE**

SPECIFICATIONS

- 20mm male / female

INSTALLATION

- Valves should always be fitted by a qualified plumber according to BIA G12, NZS 4603 or NZS 4607.
- Valves should be fitted with the cap down to allow foreign particles to fall away when the filter is removed.
- Install at inlet to household system.

SERVICING

- To remove and clean filter:
 1. Turn handle to off position
 2. Unscrew cap.
 3. Withdraw filter and clean.
 To reassemble, reverse above procedure noting that cap need only be hand tight. Care should be taken not to damage filter.

IMPORTANT

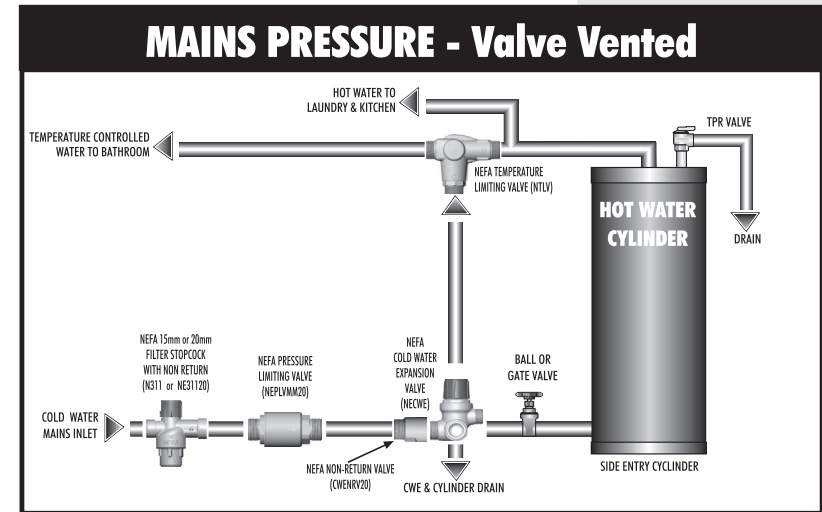
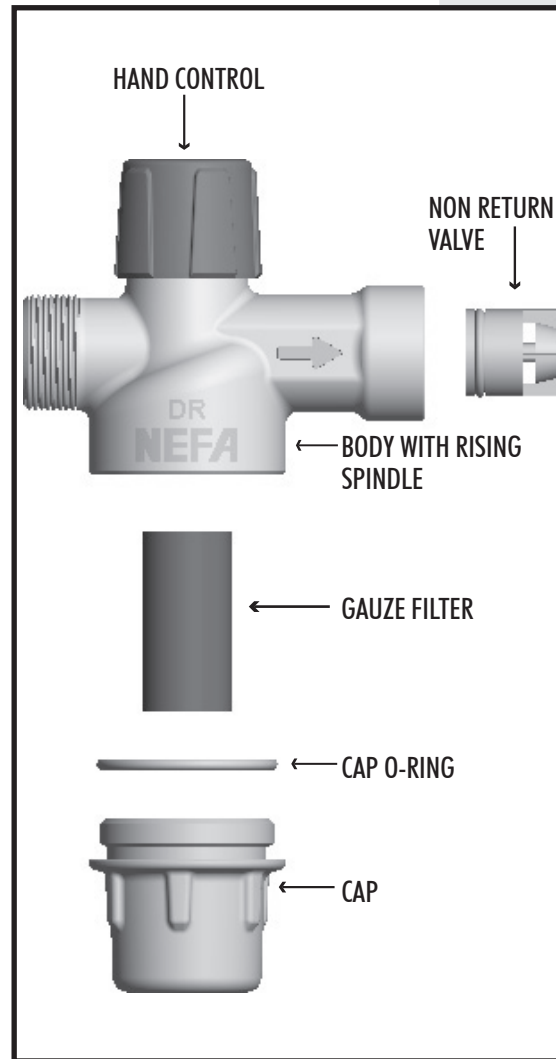
- Recommended to clean out debris every 12 months to ensure full flow.

Warranty

Where Methven valving is purchased for use or on-sale in the context of any business, Methven undertakes to either repair or replace (at its option) that valving, if it is discovered that such valving contains a material defect, which arose in the course of manufacture. This undertaking shall not apply if:

1. The defect is brought to Methven's attention later than 2 years after the date of purchase, where the defect relates to washers, "O" rings and powder coating, or 5 years where the defect relates to any other valving componentry. Proof of purchase will be required.
2. There is a failure by any person to follow Methven's installation instructions or the valving is used other than in accordance with Methven's specifications.
3. Evidence cannot be produced which confirms that the relevant valving was purchased from a Methven authorised distributor.
4. Repair work is performed on the relevant valving by a person other than Methven, its authorised service agents or any plumber who has no received authorisation prior to proceeding with the work.

The above undertaking from Methven shall also apply to any purchaser of Methven valving who is a "Consumer" under the Consumer Guarantees Act 1993, in addition to any other right or remedy which such person may have under that Act. Methven shall in no way be liable to the purchaser or user of any valving, for any loss, damage (direct, indirect or consequential), cost or expense suffered or incurred by that person, otherwise than as provided in the above provisions, or as provided under the Consumer Guarantees Act 1993.



Diagrams for illustrative purposes only

