

Minimalist Hi Rise Basin Mixer

with adjustable cartridge for temperature and flow control

METHVEN

Important – Please read all of the instructions before installation

The Basin Mixer is designed for Unequal and Equal Pressure systems. It is configured for Mains Pressure installations from manufacture to comply with WELS requirements. Refer instructions below for low pressure configuration.

This mixer is not designed for use in uncontrolled heating systems such as wetbacks or solar units unless a Tempering Valve is fitted.

ALL PIPEWORK MUST BE THOROUGHLY FLUSHED PRIOR TO INSTALLATION OF THE MIXER. AN INLINE FILTER MUST BE FITTED TO PREVENT FOREIGN PARTICLES DAMAGING THE CERAMIC CARTRIDGE.

Technical specifications

Operating Pressure:

Min: 35kPa, Max 1000kPa

Recommended 150 – 500kPa

Recommended installation of a pressure limiting valve if supply pressure exceeds 500kPa

Operating Temperature:

Hot: Max 80°C

Cold: Min 5°C

NB: New Zealand Building Code Clause G12 - Water Supplies specifies all outlets used primarily for personal hygiene shall deliver water at a safe temperature.

Inlet Connections: All ½” BSP

Installation Instructions

Unequal Pressure Installations

Unscrew the ferrule and remove the flow restricted aerator, replace it with the grey flow straightener using the O ring to seal. Install the brass nipple with the flow restrictor in to the cold supply.

Equal Low Pressure Installations

Unscrew the ferrule and remove the stainless steel aerator, replace it with the grey flow straightener using the O ring to seal. Remove the flow restrictor from the brass nipple by pushing it out with a suitable blunt instrument.

Equal High Pressure (Mains) Installations

Remove the flow restrictor from the brass nipple by pushing it out with a suitable blunt instrument.

Installation

A 35mm diameter hole is required in the bench top. The bench top cannot exceed 40mm thick

Screw the mounting studs into the bottom of the basin mixer.

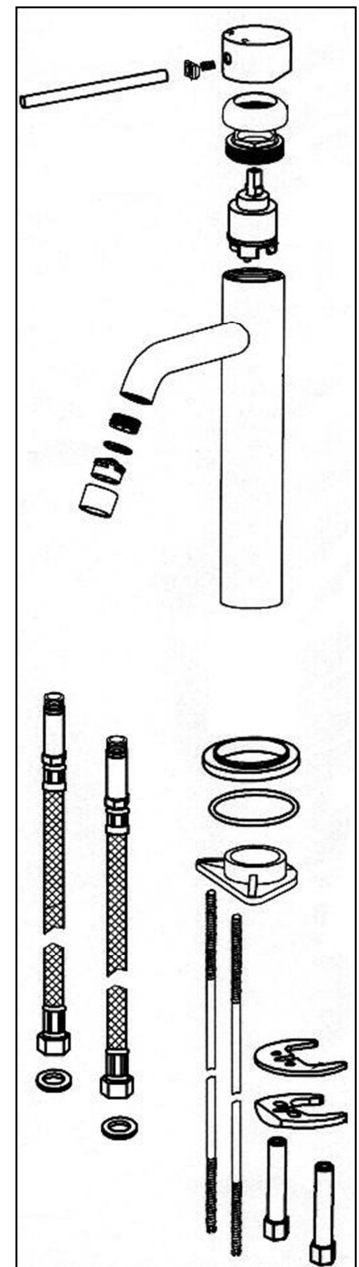
Connect the flexible hoses to the mixer body. The hot hose is marked with red tape. Fit the O ring to the base of the mixer.

Place the hoses through the hole in the bench top.

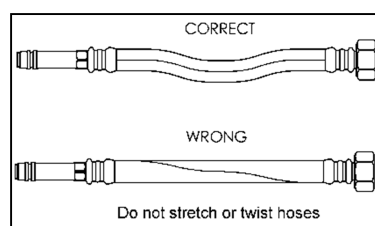
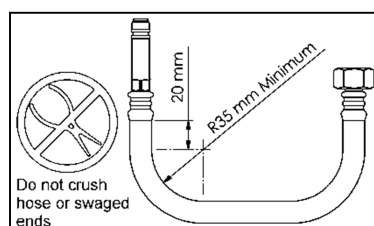
Fit the mounting gasket, mounting plate and tighten the mounting nuts.

If fitting to an unequal pressure situation connect the brass nipple supplied, containing the flow restrictor, to the cold inlet hose.

2 rubber washers are provided for the flexible hose connections to the nipples. Machined nipple ends are required to ensure a seal to the flexible hose nuts and the rubber washers.



Hose Requirements



Ceramic Cartridge Adjustment

Do not remove the ceramic cartridge from the mixer while carrying out the following adjustments.

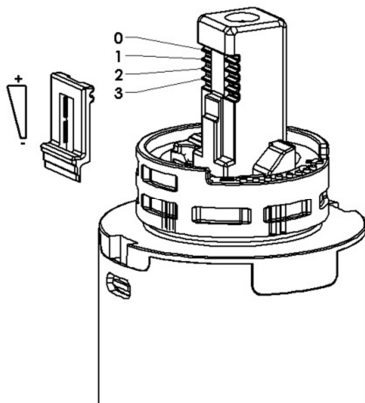
Flow Adjustment

Unscrew the lever arm from the handle.

Using a 3mm hex key, loosen the grub screw in the handle.

Pull the handle off the mixer.

Carefully pry the small blue wedge from the back of the cartridge stem.



Reinsert it in to a lower groove on the stem ensuring it is fully clicked in. The handle cannot be assembled unless it is inserted correctly.

Reverse instructions to re-assemble. A rubber glove can provide extra grip to do the lever arm up if required.

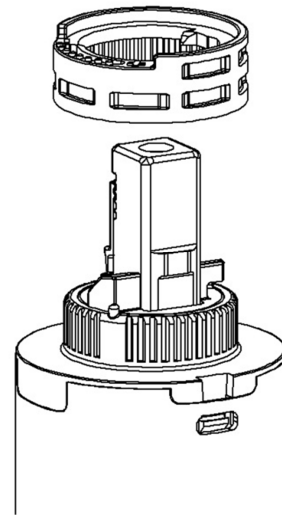
Temperature Adjustment

Unscrew the lever arm from the handle.

Using a 3mm hex key, loosen the grub screw in the handle.

Pull the handle off the mixer.

With a small screw driver carefully pry the red Temperature Limiting Ring from its locator.



Turn the Temperature limiting ring clockwise (+) to increase maximum hot temperature, anti-clockwise (-) to reduce the maximum hot temperature.

Replace the adjustment ring in the locator and push firmly to secure. The raised portion of the ring with the +/- markings should be to the front of the faucet.

Reverse instructions to re-assemble. A rubber glove can provide extra grip to do the lever arm up if required.

METHVEN LTD

For you warranty please refer to www.methven.com or call Customer Service

New Zealand
0800 804 222

Australia
1 300 638 483

UK
0800 195 1602