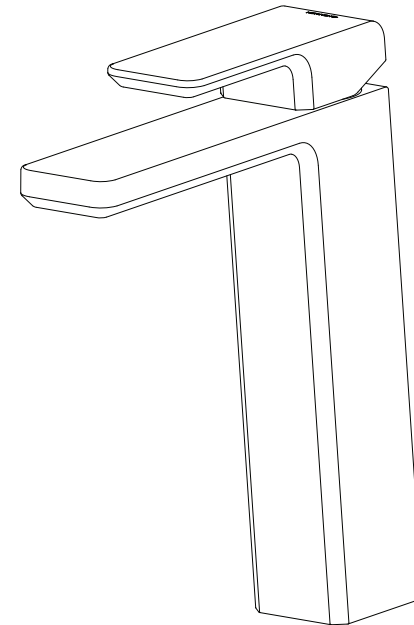




Kiri Hi-Basin Mixer



Installation Guide

Technical Specifications

Operating Pressure: Min. 35kPa (5 PSI), Max 1000kPa (145 PSI). Recommended 150-500kPa. (22-72 PSI) Install a pressure limiting valve if supply exceeds 1000kPa.
Operating Temperature: Recommended 50°C (122°F) at the mixer. Max 80°C (176°F).
Inlet Connections: All 1/2" BSP

Methven warrants this product against manufacturing defects and that it is suitable for use under the operating conditions specified in this instruction sheet.

For your warranty please refer to www.methven.biz or call Customer Service

New Zealand
0800 804 222

Australia
1300 638 483

USA
800 975 5409

UK
0800 195 1602

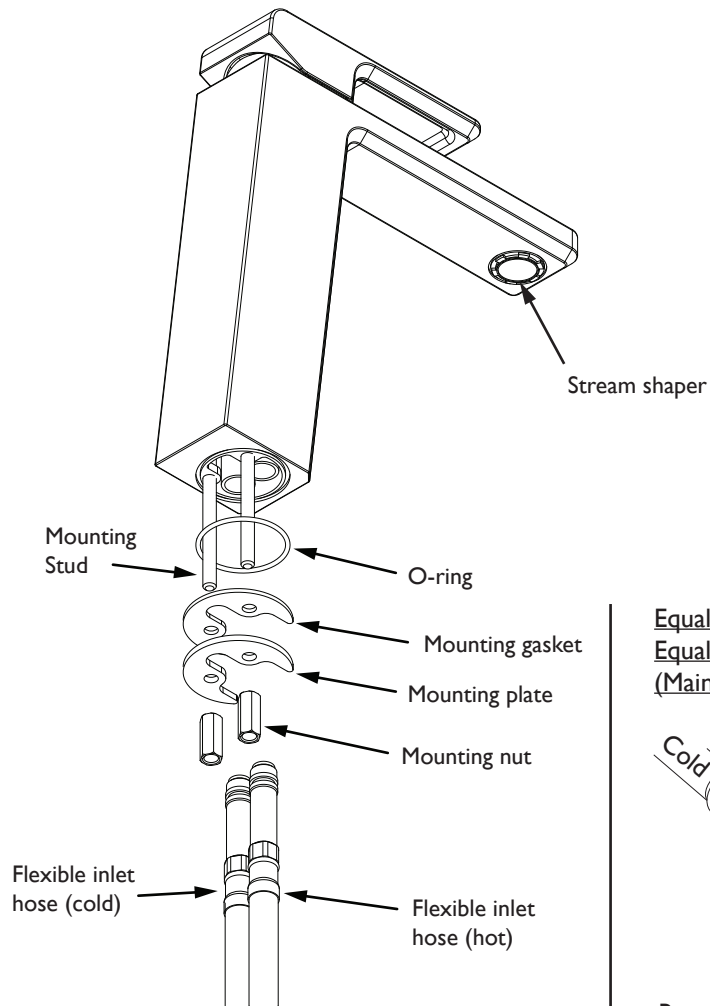
IMPORTANT

Please read all of the instructions before installation

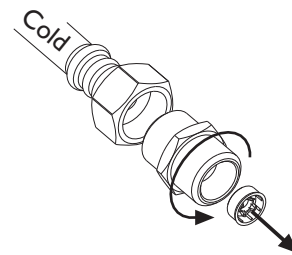
This mixer is designed for equal and unequal pressure systems.

This mixer is not recommended for use in uncontrolled heating systems such as wetbacks or solar heater units.

All pipework must be thoroughly flushed prior to the installation of the mixer. Inline filters must be fitted on both hot and cold supplies to prevent foreign particles damaging the ceramic cartridge.



Equal Low Pressure and
Equal High Pressure
(Mains) Installations



Remove flow restrictor
with suitable blunt instrument

