

FUTURA HYPERFLOW MIXER

Installation Guide

Technical Specifications:

Operating Pressure:

Equal Pressure:

Min: 25kPa

Max: 1500kPa

Optimum: 25 - 500kPa

If supply exceeds 500kPa a pressure limiting valve must be installed.

Operating Temperature:

Hot: Max 80°C

Cold: Min 5°C

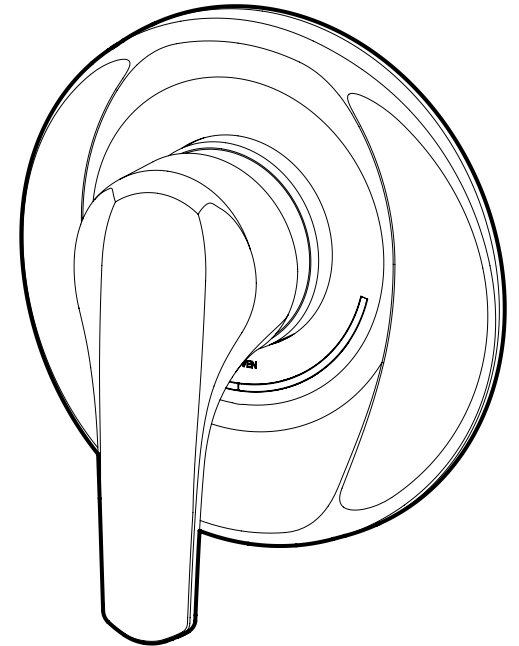
Inlet Connections:

All ½" BSP

** Regional specific regulations apply.*

Please refer to your warranty statement at

www.methven.com



Care and Cleaning:

Never use abrasives or abrasive cleaning agents to clean this product. Clean regularly with contamination free warm soapy water and a damp soft cloth.

Methven warrants this product against manufacturing defects and that it is suitable for use under the general operating conditions specified in this instruction sheet. However, regional regulations apply and may affect your warranty. Please refer to **www.methven.com** or call customer service for full details.

New Zealand
0800 804 222

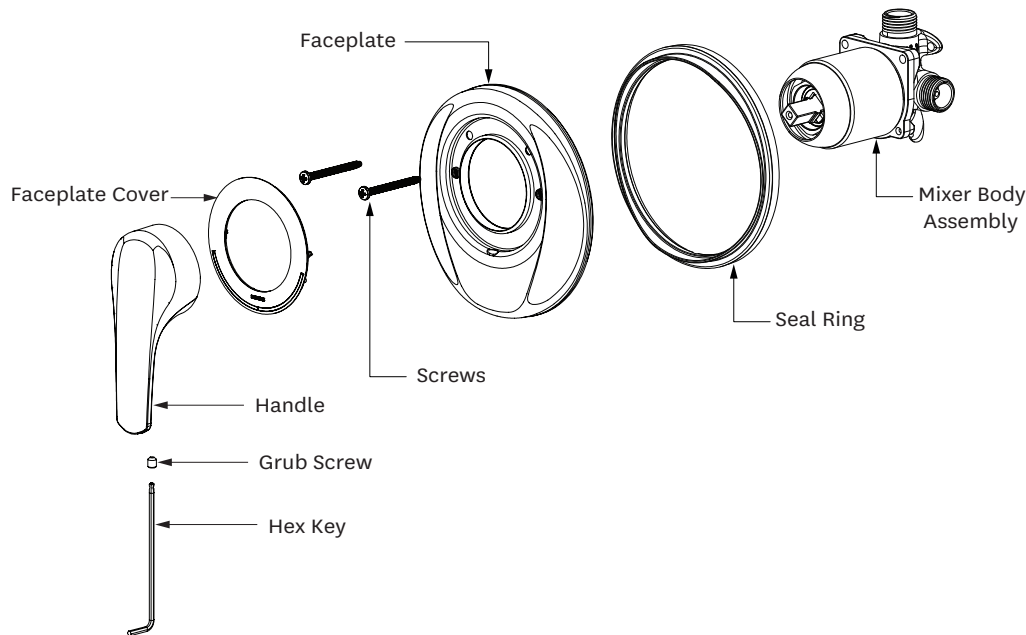
Australia
1300 638 483

UK
0800 195 1602

IMPORTANT: Please read all of the instructions before installation.

General:

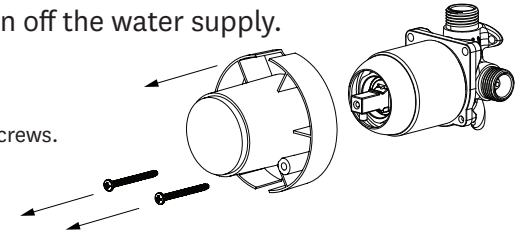
- Methven recommends this product is installed by a licensed plumber in compliance with all relevant regional regulations.
- Do not hydrostatic test the installation with this mixer installed. Damage to the ceramic cartridge may occur.
- All pipe work must be thoroughly flushed prior to the installation of the mixer.
- In-line filters must be fitted on both hot and cold supplies to prevent foreign particles damaging the ceramic cartridge.
- Do not remove the ceramic cartridge from the mixer when installing.
- After installation all connections must be checked for leaks.
- All outlets used primarily for personal hygiene shall deliver water at a safe temperature as per regional regulations.
- This mixer is not recommended for use in uncontrolled heating systems such as wet-backs or solar heating units unless a suitable tempering valve is fitted.
- It is the responsibility of the installer to ensure a waterproof seal is achieved between the product and mounting surface. If in doubt about the quality of the seal, remove the product and reinstall using silicone to ensure a seal is achieved.



IMPORTANT: Before you begin, turn off the water supply.

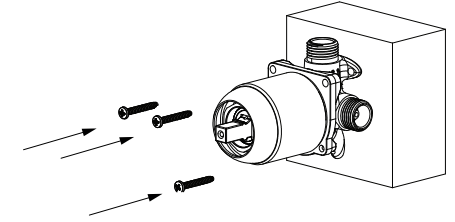
Step 1

- Remove plastic cover. Do not discard the screws.



Step 2

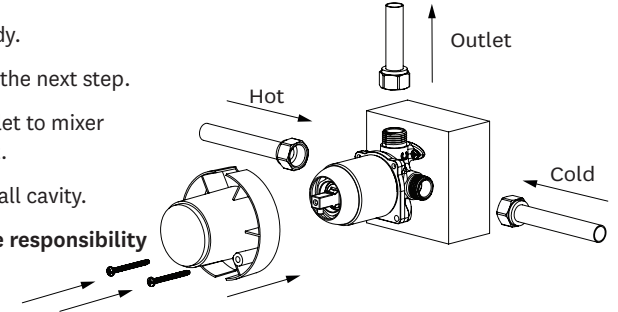
- Secure the mixer body to the supporting timber ensuring that it is oriented square and vertical.



Step 3

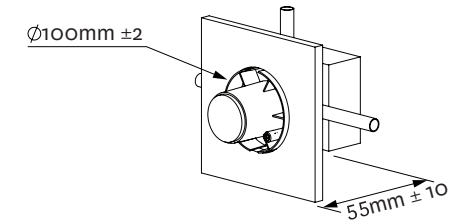
- Re-fit the plastic cover to the mixer body.
- Flush all pipe-work thoroughly prior to the next step.
- Connect hot and cold supplies and outlet to mixer body ensuring a good seal at each joint.
- Leak test installation prior to closing wall cavity.

The seal integrity of pipe joints are the responsibility of the installing plumber.



Step 4

- Wall lining hole should be cut or finished as per the dimension shown in the diagram on the right.
- Optimum distance from mounting surface to finished wall surface = 55mm ± 10mm



Step 5

- Remove plastic cover.
- Slide faceplate and seal ring onto the mixer body, position with drainage notch towards the bottom.
- Fasten faceplate to the mixer body with screws provided.
- Slide faceplate cover over the barrel and press into the faceplate recess.
- Push handle on to cartridge lever, and tighten grub screw firmly with hex key provided.

