

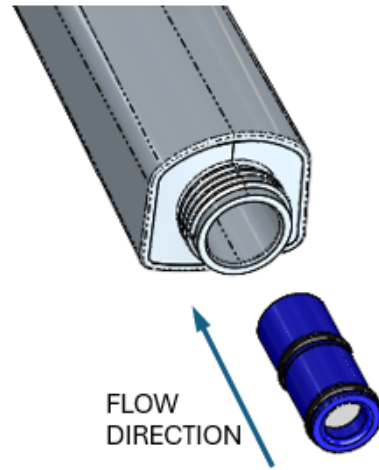
WAIPORI RAIL SHOWER W/OVERHEAD INSTALLATION GUIDE

Backflow Prevention

If backflow prevention is required for the installation two check valves have been provided.

Check valves should be inserted into the handset before connecting to the swivel end of the hose.

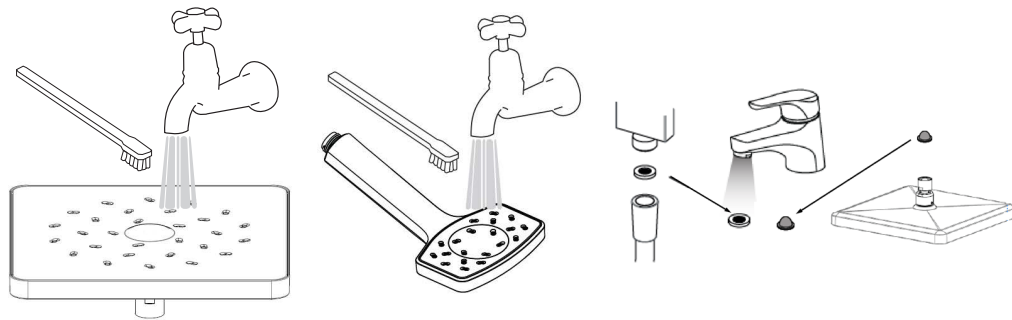
Ensure Check valves are assembled in the correct direction, see image for reference.



CLEANING

Water contains lime which remains on the surface after the water has evaporated. These lime deposits can be prevented from forming by wiping immediately after use.

To clean the chrome-plated surface use a soft cloth, soap and warm water. Never use cleaning agents that contain a corrosive acid or a scouring additive.



Methven warrants this product against manufacturing defects and that it is suitable for use under the general operating conditions specified in this instruction sheet. However, regional regulations apply and may affect your warranty. Please refer to www.methven.com or call customer service for full details.

New Zealand
0800 804 222

Australia
13 14 16

UK
0800 195 1602

IS2056

ISSUE A

TECHNICAL SPECIFICATIONS

Operating Pressure:

Min 150kPa, Max 500kPa.

Recommended installation of a pressure limiting valve if supply exceeds 500kPa

Operating Temperature:

Recommended hot water supply 50°C, maximum 70°C. AS/NZS 3500 requires all hot water supplies to any sanitary fitting to be tempered to 50°C.

Inlet connections: All 1/2" BSP

Notes:

- After installation all connections must be checked for leaks.
- All installations must be carried out in compliance with relevant water regulations



METHVEN
www.methven.com

IMPORTANT: Please read all of the instructions before installation.

General:

- Methven recommends this product is installed by a licensed plumber in compliance with all relevant regional regulations.
- All pipe work must be thoroughly flushed prior to the installation of the shower.
- After installation all connections must be checked for leaks.
- All outlets used primarily for personal hygiene shall deliver water at a safe temperature as per regional regulations.
- If limited water flow is experienced, locate filter washers and clean away foreign material as required.

It is the responsibility of the installer to ensure a waterproof seal is achieved between the product and mounting surface. If in doubt about the quality of the seal, remove the product and reinstall using silicone to ensure a seal is achieved.

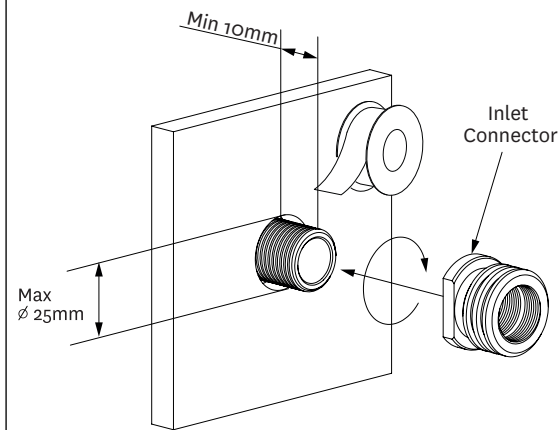
NOTE: Some showers may not provide an effective shower when used with gravity fed heated water systems or where pressures are less than 150kPa at the outlet. Additionally showers with flow rates of less than 9L/min may not allow the following to function correctly:

- some instantaneous water heaters
- some tempering valves
- some thermostatic mixing valves

Some shower heads only operate correctly when hot and cold water supplies are both mains pressure and may not be suitable for some instantaneous hot water services.

- When water pressure is in excess of 500kPa, a pressure limiting device is required in accordance with AS/NZS 3500 1.12 recommendation.

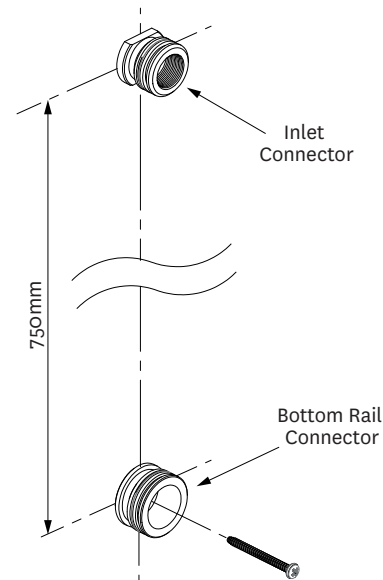
1. WATER INLET: MINIMUM HEIGHT OF 2000MM FROM FLOOR LEVEL



Install a 1/2" male threaded connection at the recommended height on wall, ensuring that a minimum of 10mm of thread protrudes past the finished wall.

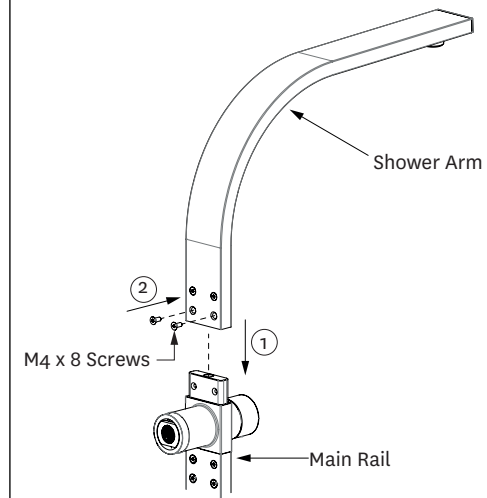
Apply plumbing tape (or similar) to the 1/2" threaded connection, then screw the inlet connector onto it.

2.



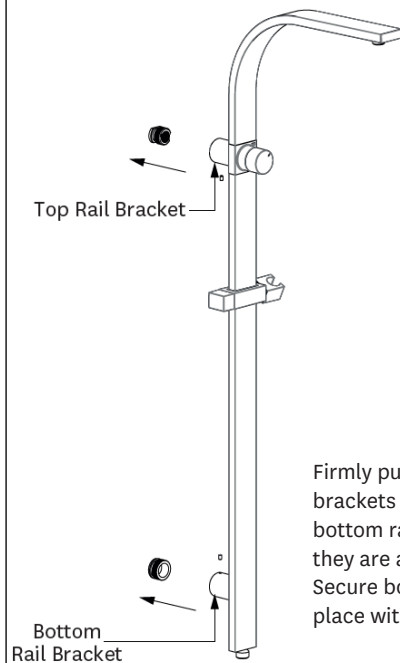
Screw the bottom rail connector to a wall stud vertically in line with the inlet connector and at the correct distance.

3.



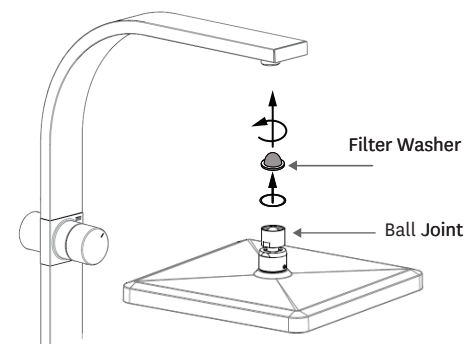
Assemble the shower arm by sliding it onto the top end of the main rail. Secure the shower arm in place with the screws provided.

4.



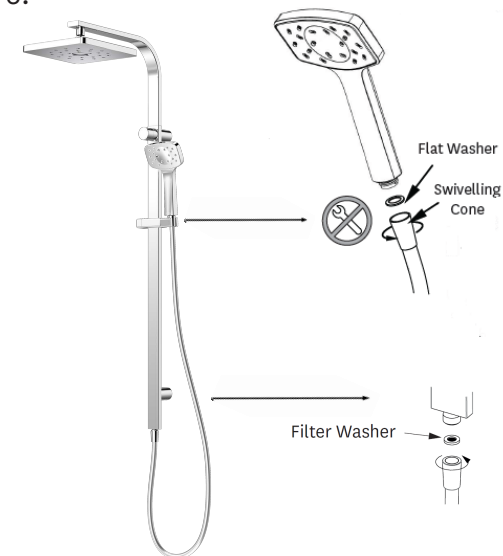
Firmly push the rail brackets onto the top and bottom rail connectors until they are against the wall. Secure both brackets in place with the grub screws.

5.



Remove the protective cap from the shower head ball joint and screw the shower head onto the shower arm, ensuring that the filter washer is in place.

6.



Make sure a washer is in both ends of the shower hose. Screw one end of the hose to the bottom of the shower rail, attach handset and place firmly in holder.