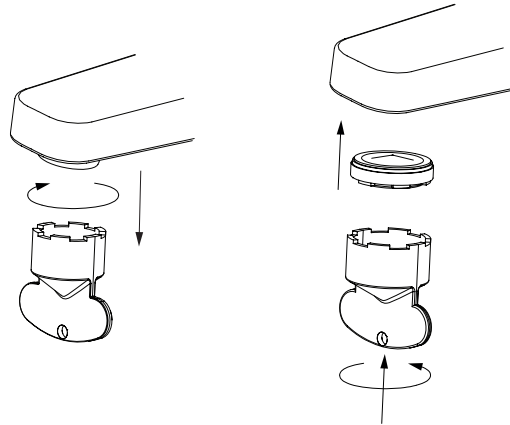


Flow Rate - (Bath Filler)

The flow restrictor can be changed if the fixed* wall spout is going to be used as a bath filler. Spout is supplied with a flow restrictor for basin applications. To change the flow restrictor see instruction below.

Remove flow restricted (green) aerator using the supplied cache key.
Replace with unrestricted (blue) aerator.



* Swivel mounted wall spout is only recommended for use as a bath filler.

Care and Cleaning:

Never use abrasives or abrasive cleaning agents to clean this product. Clean regularly with contamination free warm soapy water and a damp soft cloth.

Periodically the aerator should be removed as shown below and cleaned under running water.

Methven warrants this product against manufacturing defects and that it is suitable for use under the general operating conditions specified in this instruction sheet. However, regional regulations apply and may affect our warranty. Please refer to www.methven.com or call customer service for full details.

New Zealand
0800 804 222

Australia
13 14 16

UK
0800 195 1602

IS2058

ISSUE A

WAIPORI WALL MOUNTED BATH SPOUT Installation Guide

Technical Specifications:

Operating Pressure:

Min 35kPa, Max 1000kPa. Recommended 35kPa - 500kPa. Recommended installation of a pressure limiting valve if supply exceeds 500kPa.

Operating Temperature:

Max 70°C*

AS/NZS 3500 requires all hot water supplies to any sanitary fitting to be tempered to 50°C

Inlet Connections:

All ½" BSP

* Regional specific regulations apply. Please refer to your warranty statement at www.methven.com

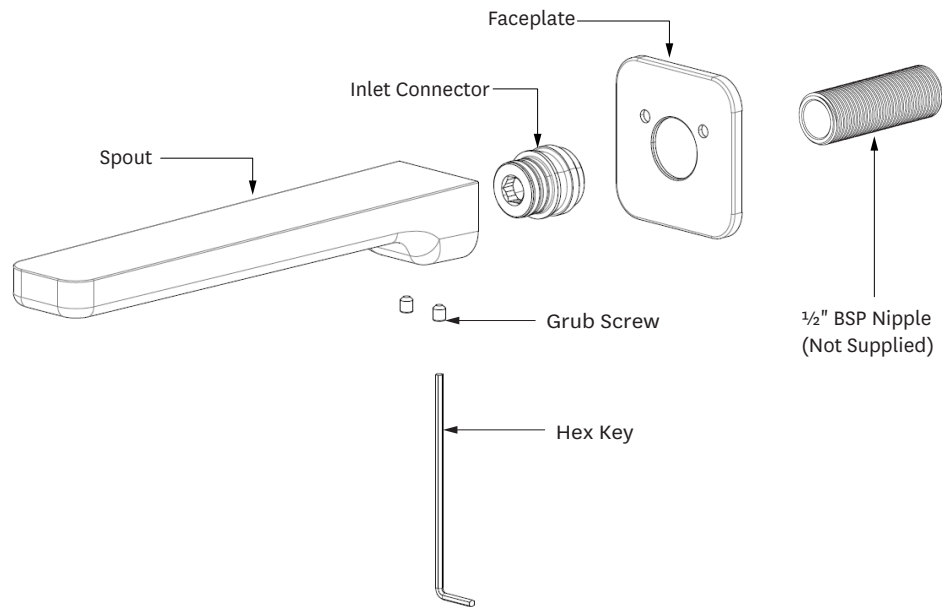


METHVEN
www.methven.com

IMPORTANT: Please read all of the instructions before installation.

General:

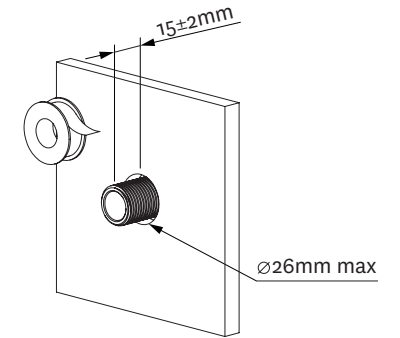
- Methven recommends this product is installed by a licensed plumber in compliance with all relevant regional regulations.
- After installation all connections must be checked for leaks.
- All outlets used primarily for personal hygiene shall deliver water at a safe temperature as per regional regulations.
- It is the responsibility of the installer to ensure a waterproof seal is achieved between the product and mounting surface, install using silicone to ensure a seal is achieved.



IMPORTANT: Before you begin, turn off the water supply.

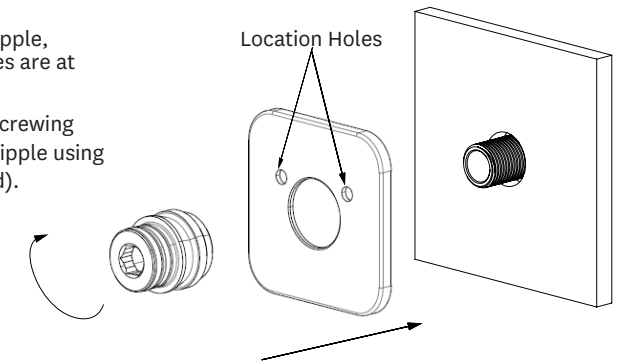
Step 1

- Wall lining hole should be cut or finished as per the dimension shown in the diagram on the right.
- Cut off the threaded nipple $15\pm 2\text{mm}$ from the wall lining and apply thread seal tape to ensure a good seal.
- Ensure nipple hole is waterproofed with an appropriate silicon sealant.



Step 2

- Slide the faceplate over the nipple, ensuring the two location holes are at the top.
- Secure faceplate in place by screwing the inlet connector onto the nipple using a 10mm Hex Key (not supplied).



Step 3

- Push the spout onto the inlet connector and secure in place by tightening the grub screws firmly using the hex key provided.

