

MINIMALIST MK2 WALL MOUNTED BATH SPOUT

Installation Guide

Technical Specifications:

Operating Pressure:

Min: 35kPa/0.35bar

Max: 1000kPa/10bar*

Optimum: 150kPa/1.5bar - 500kPa/5bar

Operating Temperature:

Hot: Max 80°C*

Cold: Min 5°C

Inlet Connections:

All ½" BSP

* Regional specific regulations apply.

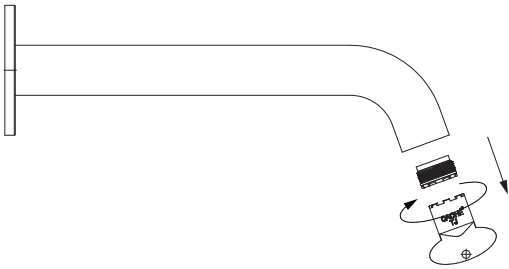
Please refer to your warranty statement at

www.methven.com

Care and Cleaning:

Never use abrasives or abrasive cleaning agents to clean this product. Clean regularly with contamination free warm soapy water and a damp soft cloth.

Periodically the stream shaper should be removed as shown below and cleaned under running water.



Methven warrants this product against manufacturing defects and that it is suitable for use under the general operating conditions specified in this instruction sheet. However, regional regulations apply and may affect your warranty. Please refer to www.methven.com or call customer service for full details.

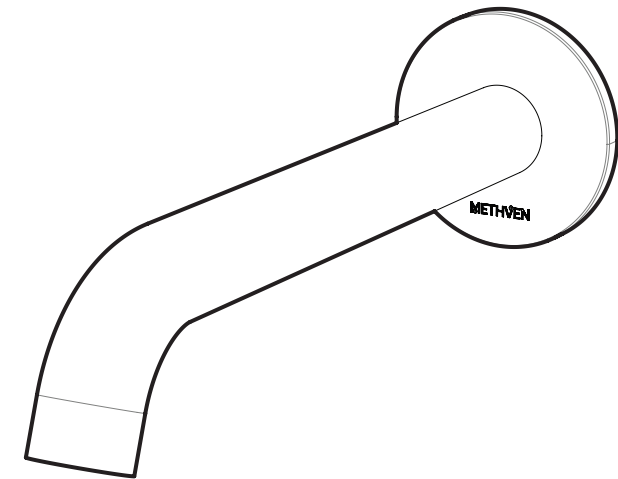
New Zealand
0800 804 222

Australia
13 14 16

UK
0800 195 1602

IS 1913

ISSUE A

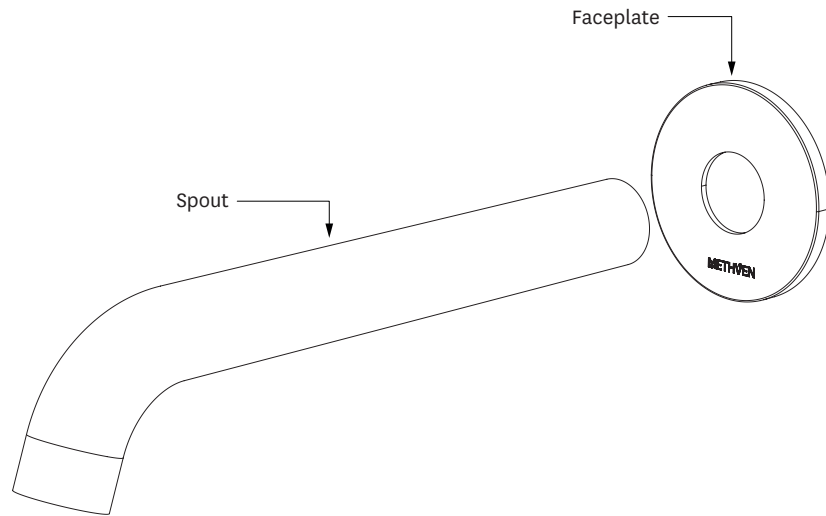


METHVEN
www.methven.com

IMPORTANT: Please read all of the instructions before installation.

General:

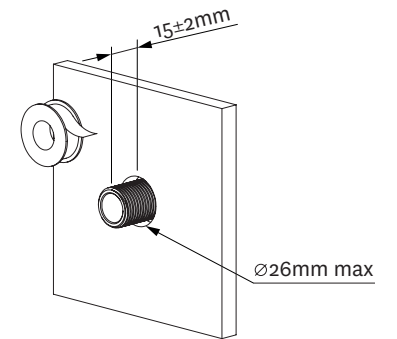
- Methven recommends this product is installed by a licensed plumber in compliance with all relevant regional regulations.
- After installation all connections must be checked for leaks.
- All outlets used primarily for personal hygiene shall deliver water at a safe temperature as per regional regulations.
- It is the responsibility of the installer to ensure a waterproof seal is achieved between the product and mounting surface. If in doubt about the quality of the seal, remove the product and reinstall using silicone to ensure a seal is achieved.



IMPORTANT: Before you begin, turn off the water supply.

Step 1

- Wall lining hole should be cut to 25 - 40mm max.
- Cut protruding threaded ½ " nipple to a maximum of 13mm from the wall finished surface and remove excess burrs.
- Apply thread tape to the nipple to ensure a good seal.



Step 2

- Apply silicon sealant to rear of faceplate.
- Fit faceplate to spout and screw assembly onto the prepared nipple until the faceplate contacts the wall surface and the spout is facing downwards.

