

## **Important**

The operation pressure of this Masterfont is rated at 725kPa. If this working pressure is exceeded, the unit may leak. For installations in areas where the pressure may exceed 725kPa a pressure limiting valve should be fitted.

It is recommended that a line strainer be installed to prevent debris blocking or jamming the cartridge.

## **Masterfont Assembly**

Masterfont contains a push button cartridge. This is fitted to allow easy replacement due to wear or malfunction of the cartridge.

*Refer to the diagram (right) for order of assembly of components.*

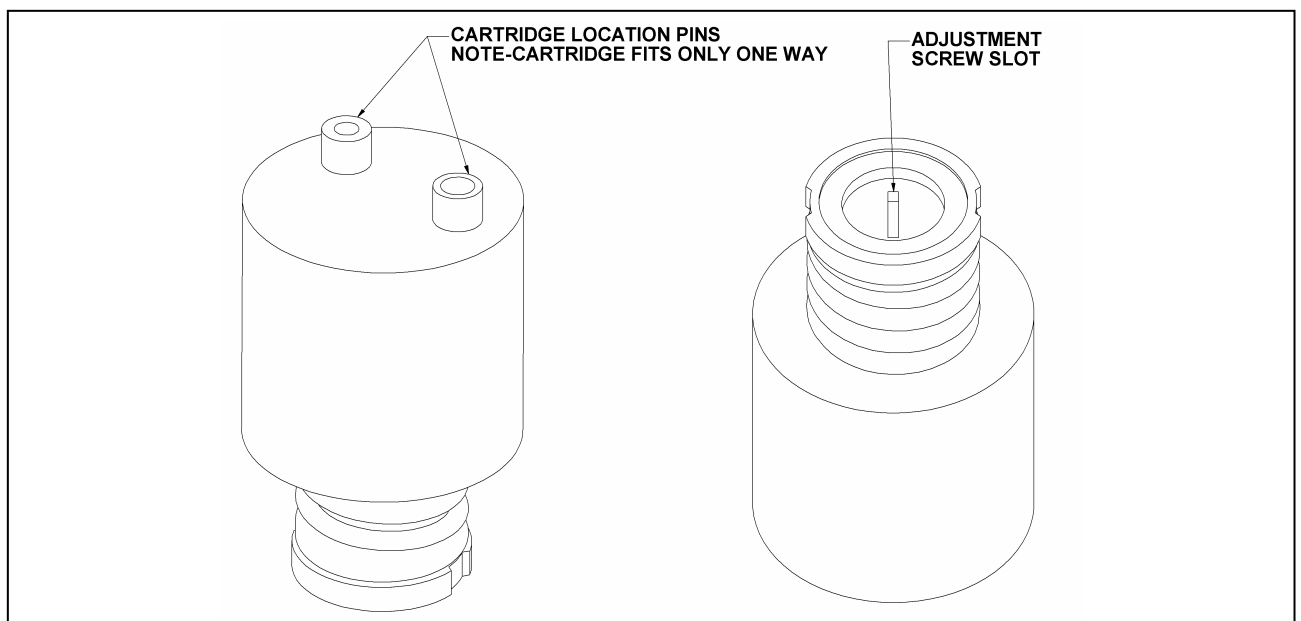
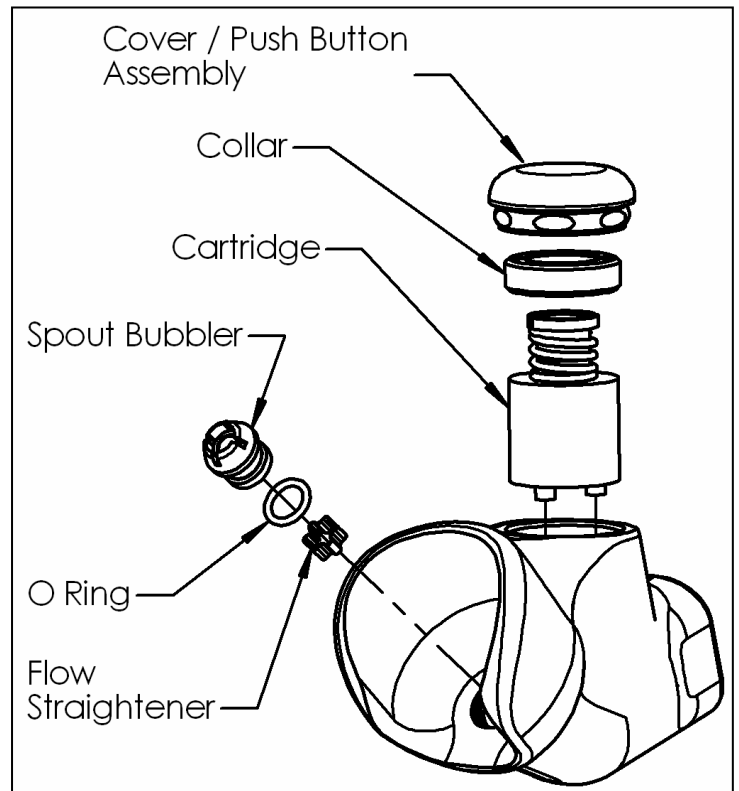
The cartridge is fitted in to the body, taking care to locate the cartridge pins into the body location holes. The cartridge fits only one way around, as shown below.

The collar is screwed down to contain the cartridge and seal the waterways.

Position the cover assembly over the push button and screw over the collar using the pressed steel spanner to tighten.

The O ring should be fitted, and the flow straightener inserted into the spout bubbler before the bubbler is screwed into the body.

To adjust the flow, remove the cover assembly with the pressed steel spanner and push button and turn the adjustment screw located in the top of the cartridge, as shown bottom right.



Two service kits are available for the Masterfont, part numbers and contents listed below:

905649	943797
Cartridge Collar Spout bubbler O ring Cover/Push button assembly Spanner	Cartridge

---

Where Methven tapware or valving (tapware) is purchased for use or on-sale in the context of any business, Methven undertakes to either repair or replace (at its option) that tapware if it is discovered that such tapware contains a material defect, which arose in the course of manufacture.

This undertaking shall not apply if:

1. The defect is brought to Methven's attention later than 2 years after the date of purchase, where the defect relates to washers, "O" rings, lip and other seals and powder coating, or 5 years where the defect relates to any other tapware componentry. All single lever ceramic disc cartridges specified for mains pressure only use, has a lifetime warranty.
2. There is a failure by any person to follow Methven's installation instructions or the tapware is used other than in accordance with Methven's specifications.
3. Evidence cannot be produced which confirms that the relevant tapware was purchased from a Methven authorised distributor.
4. Repair work is performed on the relevant tapware by a person other than Methven, its authorised service agents or any plumber who has not received authorisation **prior** to proceeding with the work.

Conditions:

Proof of purchase details (such as invoice or receipt) will be required to claim under this warranty.

Lifetime warranties are applicable, where mains pressure use only has been specified, on ceramic disc cartridges and will result in replacement of defective parts.

The above undertaking from Methven shall also apply to any purchaser of Methven tapware who is a "Consumer" under the Consumer Guarantees Act 1993, in addition to any other right or remedy which such person may have under that Act.

Methven shall in no way be liable to the purchaser or user of any tapware, for any loss, damage (direct, indirect or consequential), cost or expense suffered or incurred by that person, otherwise than as provided in the above provisions, or as provided under the Consumer Guarantees Act 1993.

---

METHVEN LIMITED \* 447 Rosebank Rd \* Avondale \* Auckland \* New Zealand

phone : 03 466 4180

fax : 0800 805 222

website: [www.methven.biz](http://www.methven.biz)