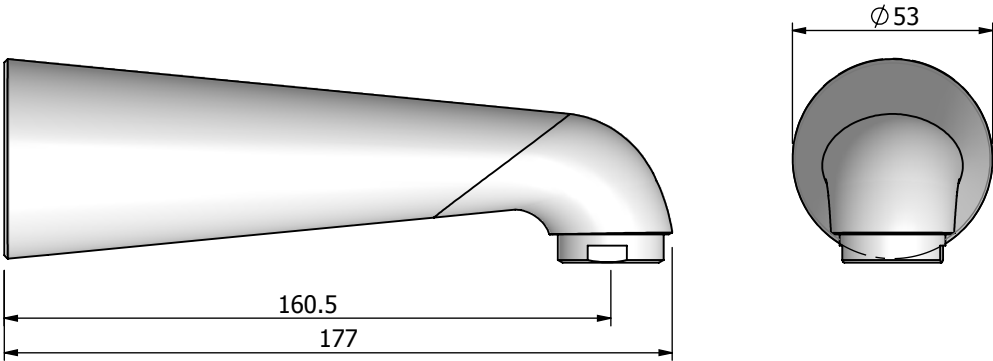
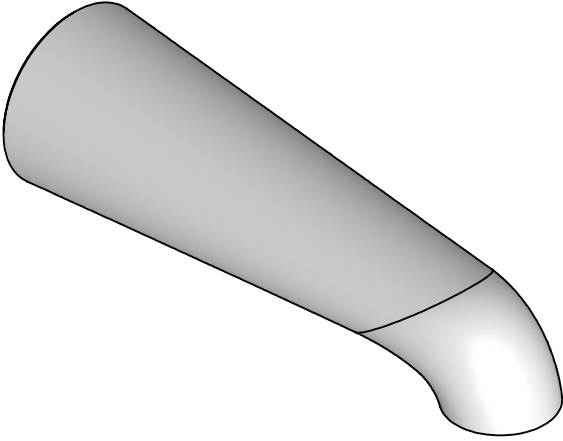

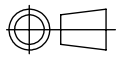


		1	2	3	4	5	6	7	8	9	10	11									
								REV	DESCRIPTION	DATE	BY	ECA									
A																					
B																					
C																					
D																					
E		<div style="border: 1px dashed black; padding: 5px; display: inline-block;"> <b>SP260261</b>  </div>																			
F																					
G		<b>Dimensions in mm</b>  Scale: 1:2 <b>DO NOT SCALE</b>		<b>TOLERANCES</b> UNLESS SPECIFIED OTHERWISE <table border="1"> <tr> <td>LINEAR</td> <td>ANGLES ± 3°</td> </tr> <tr> <td>0 ± 0.4</td> <td>SURFACE</td> </tr> <tr> <td>0.0 ± 0.2</td> <td>FINISH: 1.6</td> </tr> <tr> <td>0.00 ± 0.1</td> <td></td> </tr> </table>		LINEAR	ANGLES ± 3°	0 ± 0.4	SURFACE	0.0 ± 0.2	FINISH: 1.6	0.00 ± 0.1		DRAWN: C Bauer 6/09/2016 CHECKED: Select checked by		MATERIAL: Refer parts MASS: 641 g		COLOUR: Refer parts FINISH: Refer parts		<b>Process Control Notes:</b> SC = Significant Characteristics CS = Customer Significant Features Ⓢ = Safety Critical Features All identified features are required to be produced with a process Cpk ≥ 1.33	
LINEAR	ANGLES ± 3°																				
0 ± 0.4	SURFACE																				
0.0 ± 0.2	FINISH: 1.6																				
0.00 ± 0.1																					
		CONCENTRICITY © 0.1 ALL Ø ABOUT COMMON CENTRELINE		DESCRIPTION: <b>SPOUT 99X20mm CHROME - SP</b>		<b>mETHvEN LIMITED</b> Private Bag 19996, Auckland 1746 447 Rosebank Road, Avondale, Auckland 1026 PH (+649) 829-0429 FAX (+649) 829-0439		Sheet 1 of 1 Sheet size A4		DWG.No: <b>SP99CP</b> REV: <b>A</b>											