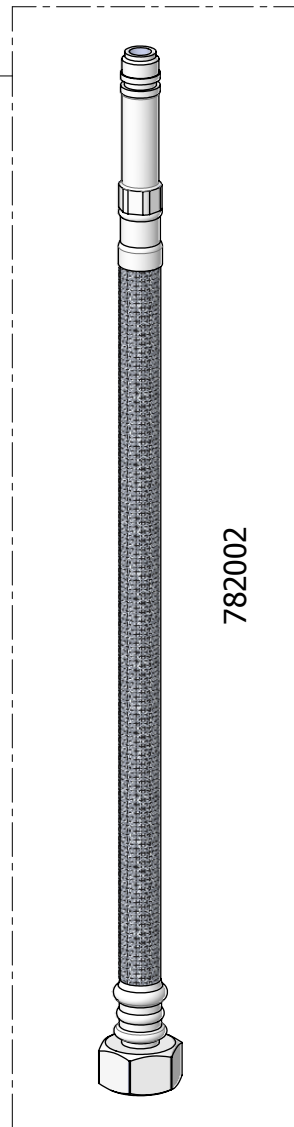
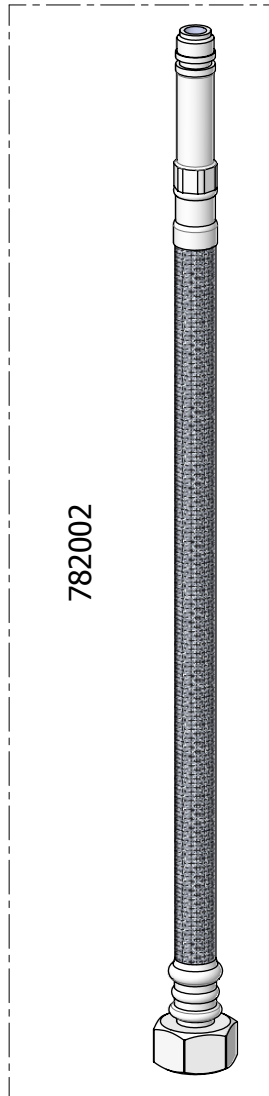
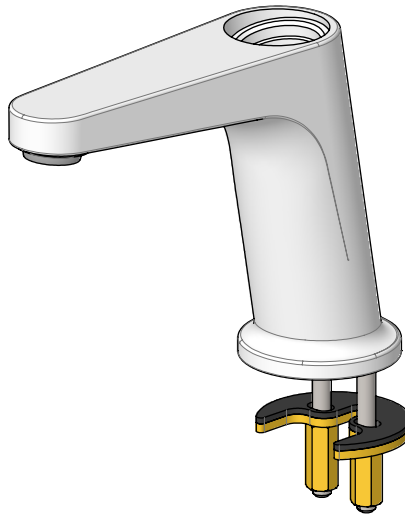
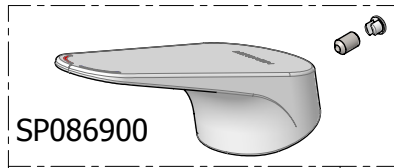
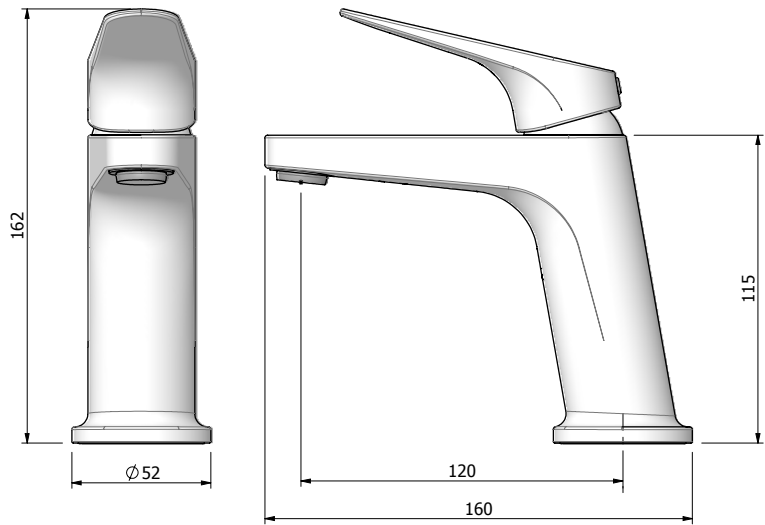


REV	DESCRIPTION	DATE	BY	ECA
-----	-------------	------	----	-----



**Process Control Notes:**  
 □ = Significant Characteristics  
 □ = Customer Significant Features  
 Ⓢ = Safety Critical Features  
 All identified features are required to be produced with a process Cpk ≥ 1.33

**Dimensions in mm**  
 Scale: 1:2  
**DO NOT SCALE**

TOLERANCES UNLESS SPECIFIED OTHERWISE	
LINEAR 0 ± 0.4 0.0 ± 0.2 0.00 ± 0.1	ANGLES ± 3° SURFACE FINISH: 1.6/√
CONCENTRICITY © 0.1 ALL Ø ABOUT COMMON CENTRELINE	

DRAWN: C Bauer 29/08/2016  
 MATERIAL: Refer parts  
 COLOUR: FINISH:  
 DESCRIPTION: **MAKU BASIN MIXER - SP**

CHECKED: Select checked by  
 MASS: g

**mETHVEN LIMITED**  
 Private Bag 19996, Auckland 1746  
 447 Rosebank Road, Avondale, Auckland 1026  
 PH (+649) 829-0429 FAX (+649) 829-0439  
**MABCP**

Sheet 1 of 1  
 Sheet size A3  
 REV **A**

METHVEN\_PRODUCT\_TEMPL\_04