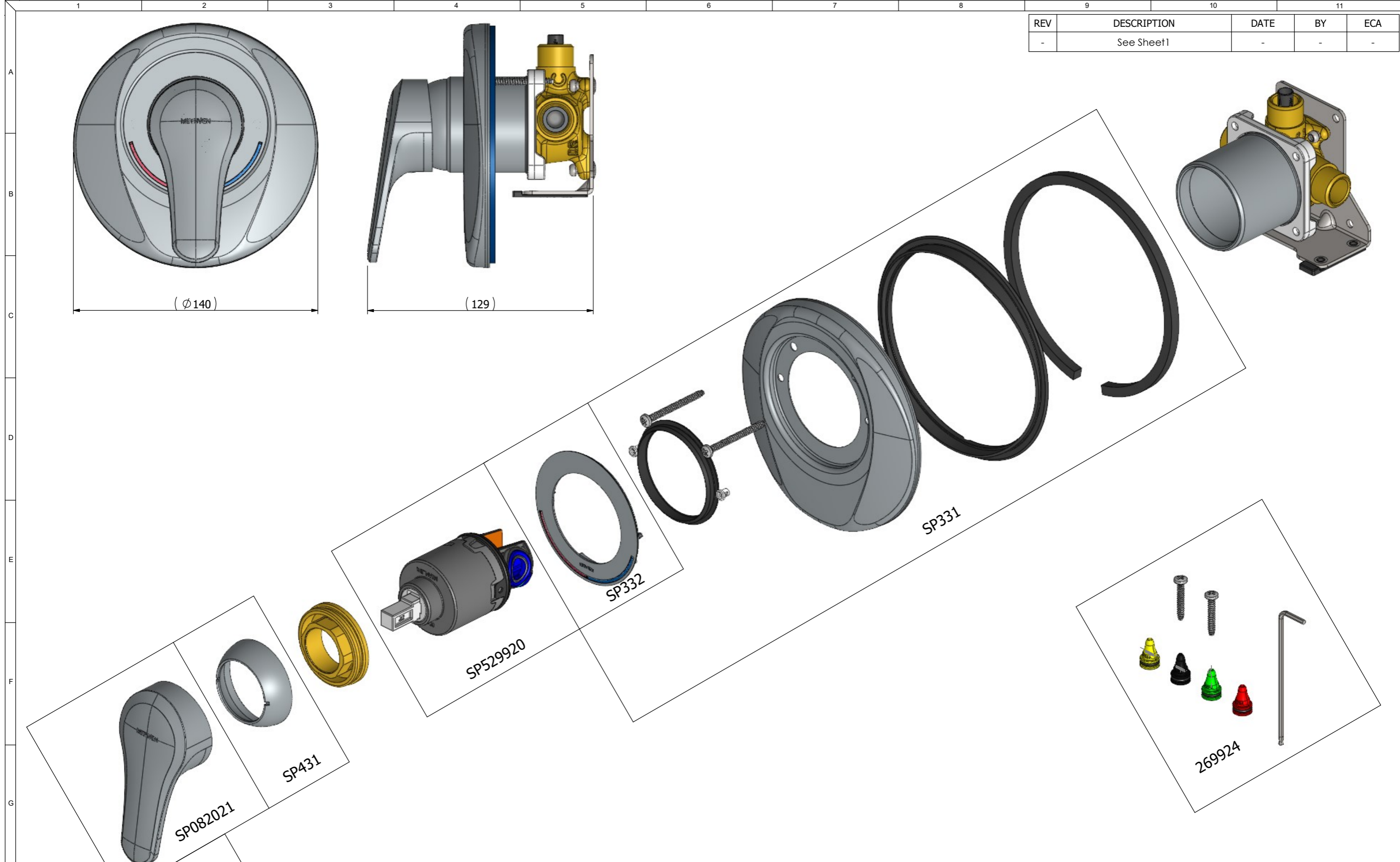


REV	DESCRIPTION	DATE	BY	ECA
-	See Sheet1	-	-	-



AL LANDSCAPE Rev 2.0

Process Control Notes:
 SC = Significant Characteristics
 CS = Customer Significant Features
 ⚠ = Safety Critical Features

All identified features are required to be produced with a process Cpk ≥ 1.33

Dimensions in mm

Scale: 1:2

DO NOT SCALE

TOLERANCES UNLESS SPECIFIED OTHERWISE	
LINEAR	ANGLES ± 3°
0 ± 0.5	SURFACE
0.0 ± 0.2	FINISH: 1.6/
0.00 ± 0.1	
CONCENTRICITY © 0.1	
ALL Ø ABOUT COMMON CENTRELINE	

DRAWN: J Baker 7/04/2020	CHECKED: U Patel 7/04/2020
MATERIAL: Refer Parts	MASS: 1176 g
COLOUR: N/A	FINISH: Chrome plated
DESCRIPTION: FUTURA SHOWER MIXER W FF2 NZ	
PROJECT: RD1518	

METHVEN
 GWA Group (NZ) Ltd
 Private Bag 19996, Auckland 1746
 41 Jomac Place, Avondale, Auckland 1026

DWG.No **FTAP2SCP**

Sheet 2 of 2
 Sheet size A3
 REV **C**