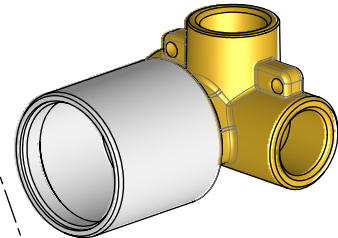
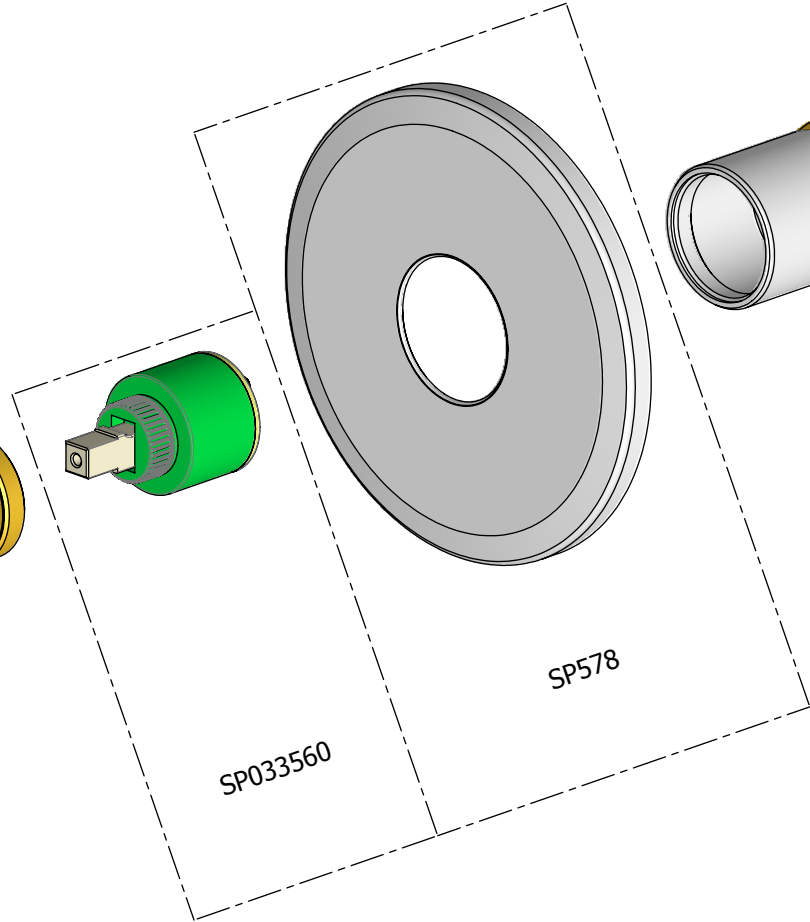
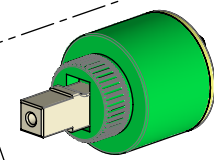
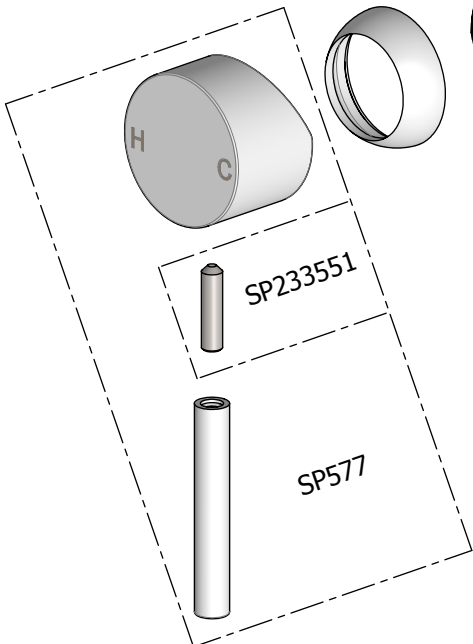
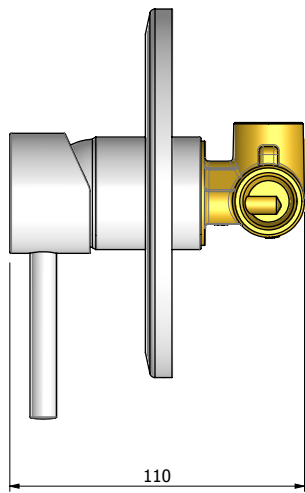
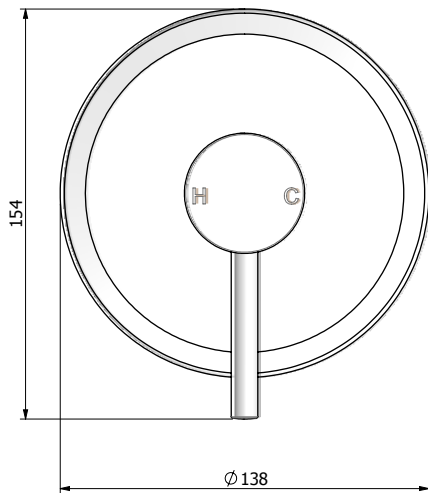


REV	DESCRIPTION	DATE	BY	ECA



Process Control Notes:
 □ = Significant Characteristics
 □ = Customer Significant Features
 Ⓢ = Safety Critical Features

All identified features are required to be produced with a process Cpk ≥ 1.33

Dimensions in mm

Scale: 1:2

DO NOT SCALE

TOLERANCES UNLESS SPECIFIED OTHERWISE	
LINEAR 0 ± 0.4 0.0 ± 0.2 0.00 ± 0.1	ANGLES ± 3° SURFACE FINISH: 1.6/√
CONCENTRICITY Ⓢ 0.1 ALL Ⓢ ABOUT COMMON CENTRELINE	

DRAWN: C Bauer 11/07/2016	CHECKED: Select checked by
MATERIAL: Refer parts	MASS: 720 g
COLOUR: Specify	FINISH: Specify
DESCRIPTION: ECHO MINIMALIST SHOWER MIXER - SP	

mETHVEN LIMITED Private Bag 19996, Auckland 1746 447 Rosebank Road, Avondale, Auckland 1026 PH (+649) 829-0429 FAX (+649) 829-0439	Sheet 1 of 1
	Sheet size A3
EM8107	REV A

EM8107_PRODUCED_TPO_04