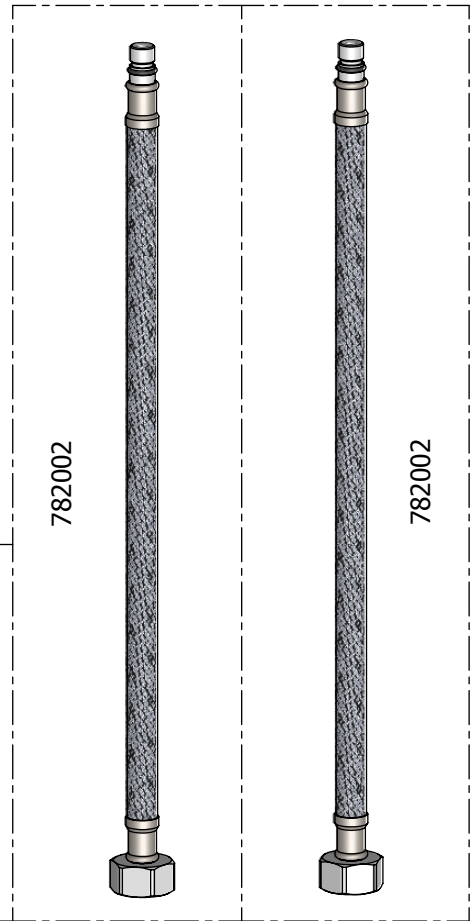
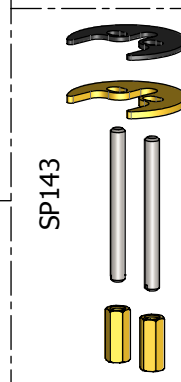
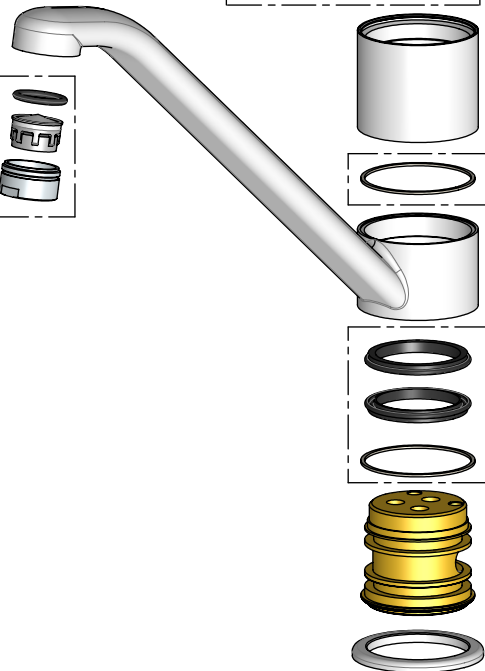
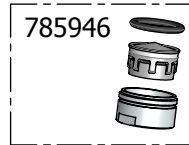
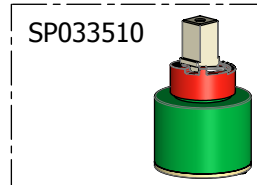
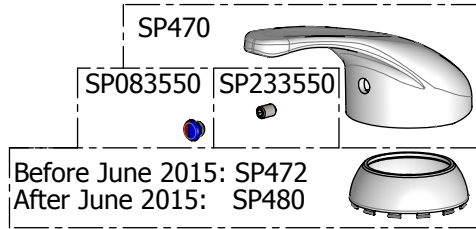
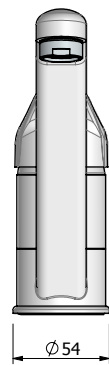
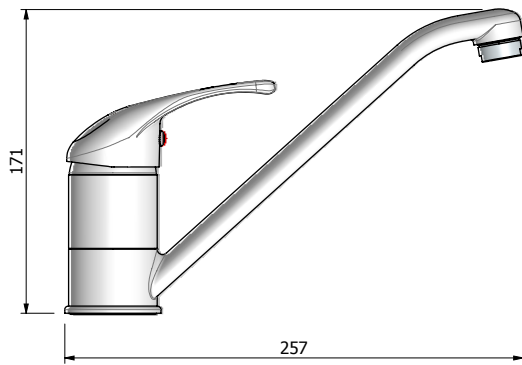


REV	DESCRIPTION	DATE	BY	ECA
-----	-------------	------	----	-----

G
F
E
D
C
B
A



Process Control Notes:
 SQ = Significant Characteristics
 CS = Customer Significant Features
 VC = Safety Critical Features
 All identified features are required to be produced with a process Cpk ≥ 1.33

Dimensions in mm
 Scale: 1:3
DO NOT SCALE

TOLERANCES UNLESS SPECIFIED OTHERWISE	
LINEAR 0 ± 0.4 0.0 ± 0.2 0.00 ± 0.1	ANGLES ± 3° SURFACE FINISH: 1.6/√ CONCENTRICITY © 0.1 ALL Ø ABOUT COMMON CENTRELINE

DRAWN: C Bauer 6/07/2016	CHECKED: Select checked by
MATERIAL: Refer parts	MASS: 1620 g
COLOUR: N/A	FINISH: Chrome plated
DESCRIPTION: ECHO STRATA SINK MIXER A/P CP - SP	

mETHVEN LIMITED
 Private Bag 19996, Auckland 1746
 447 Rosebank Road, Avondale,
 Auckland 1026
 PH (+649) 829-0429 FAX (+649) 829-0439
E8114

Sheet 1 of 1
 Sheet size A3
 REV **A**

METHVEN_PRODUCT_TPM_04