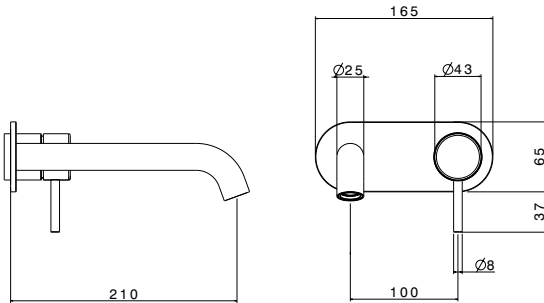


# METHVEN

## MINIMALIST MK2



### MINIMALIST MK2 WALL MOUNTED MIXER WITH SPOUT TRIM KIT



**CONSTRUCTION:** 304 Stainless Steel / Zinc Alloy

**CLASSIFICATION:** Suitable for **mains/high pressure** only

**INLET CONNECTIONS:** All 1/2" BSP

**OUTLET CONNECTION:** N/A

**WORKING PRESSURES:** 150 – 500 kPa

**DIMENSIONS FOR FITTING:** N/A

**OPERATING TEMPERATURE:** 5°C - 80°C

**WATER FLOW RATE:** approx 4.5 L/min

- New Zealand designed and engineered
- Interchangeable trim kit allow colours to be changed post installation
- To be used with Methven Universal In-wall Body Wall Mounted Mixer with Spout
- 6 star WELS rated on mains pressure (4.5 L/min)

MNWBCP-TK

Chrome

MNWBK-TK

Matte Black

MNWBK-TK

Brushed Nickel

THE METHVEN GUARANTEE. For total peace of mind, all domestic tapware products include a 20 Year Parts and Labour Guarantee. For commercial installations, a 5 Year Guarantee on Parts and Labour applies. For full terms and conditions, visit [www.methven.com](http://www.methven.com).