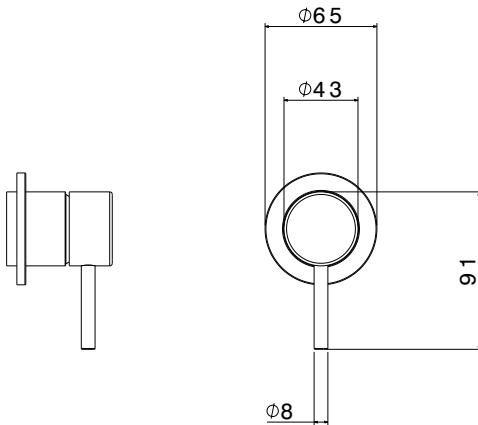


METHVEN

MINIMALIST MK2



MINIMALIST MK2 SHOWER DIVERTER TRIM KIT



CONSTRUCTION: Zinc Alloy

CLASSIFICATION: Suitable for **mains/high pressure** only

INLET CONNECTIONS: N/A

OUTLET CONNECTION: N/A

WORKING PRESSURES: 150 - 500kPa

DIMENSIONS FOR FITTING: N/A

OPERATING TEMPERATURE: 5°C - 80°C

- New Zealand designed and engineered
- Interchangeable trim kit allow colours to be changed post installation
- To be used with Methven Universal In-wall Body Diverter

MNDKP-TK

Chrome

MNDBK-TK

Matte Black

MNDNK-TK

Brushed Nickel

THE METHVEN GUARANTEE. For total peace of mind, all domestic tapware products include a 20 Year Parts and Labour Guarantee. For commercial installations, a 5 Year Guarantee on Parts and Labour applies. For full terms and conditions, visit www.methven.com.