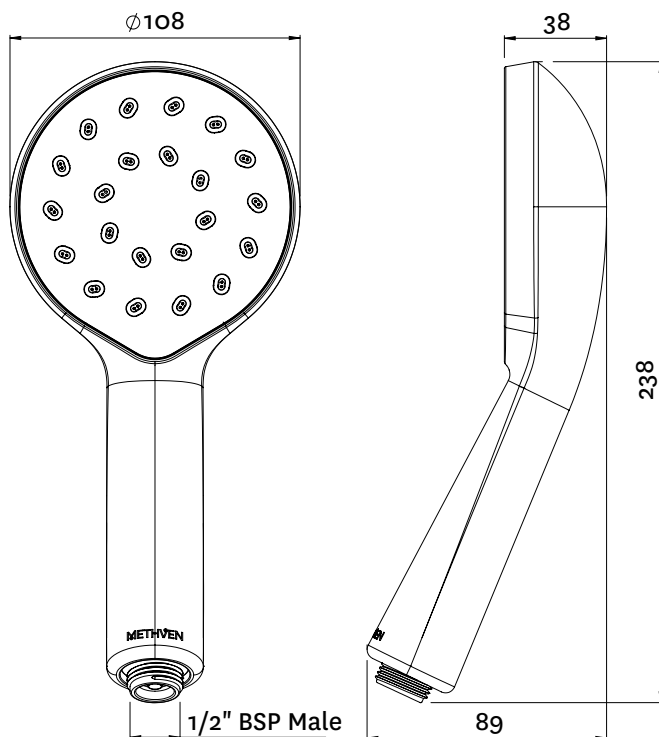


**KRHSCPAU
KIRI MK2 SATINJET
HANDSET**



Satinjet®



FINISH: Chrome

FUNCTIONS: Satinjet®
MOUNTING METHOD: Screw-off, Screw on
SUPPLY: Mains Pressure
CONNECTIONS: 1/2" BSP Male
WORKING PRESSURES: 150 - 500 kpa
OPERATING TEMPERATURE: Recommended 50°C*

*Refer AS/NZS 3500

- Features the revolutionary Satinjet® spray design. Twin jets of water collide into thousands of tiny droplets to deliver voluminous shower coverage
- Single function handset featuring Satinjet® spray
- Easy-to-clean faceplate
- Switch to a new shower handset in seconds - simply screw off and screw on installation

THE METHVEN GUARANTEE. For total peace of mind, all domestic shower products include a Lifetime Replacement Guarantee. For commercial installations, Satinjet® showers carry a 15 Year Replacement Warranty. For full terms and conditions, visit www.methven.com.