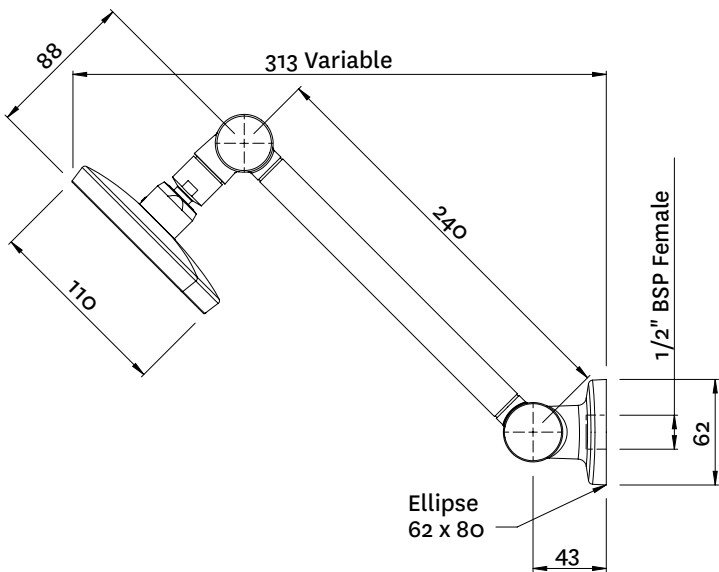


KRHRCPAU  
KIRI MK2 SATINJET HI  
RISE SHOWER



Satinjet®



**FINISH:** Chrome

**FUNCTIONS:** Satinjet®

**MOUNTING METHOD:** Wall outlet mounting

**SUPPLY:** Mains Pressure

**CONNECTIONS:** 1/2" BSP Female

**WORKING PRESSURES:** 150 - 500 kpa

**OPERATING TEMPERATURE:** Recommended 50°C\*

\*Refer AS/NZS 3500

- Features the revolutionary Satinjet® spray design. Twin jets of water collide into thousands of tiny droplets to deliver voluminous shower coverage
- Single function shower rose featuring Satinjet® spray
- Easy-to-clean faceplate
- Height adjustable, never droop, hi rise arm with a swivel joint that will not loosen or droop with use
- Brass adjustable ball joint connection
- Easy retro-fit installation

**THE METHVEN GUARANTEE.** For total peace of mind, all domestic shower products include a Lifetime Replacement Guarantee. For commercial installations, Satinjet® showers carry a 15 Year Replacement Warranty. For full terms and conditions, visit [www.methven.com](http://www.methven.com).