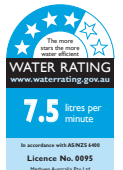
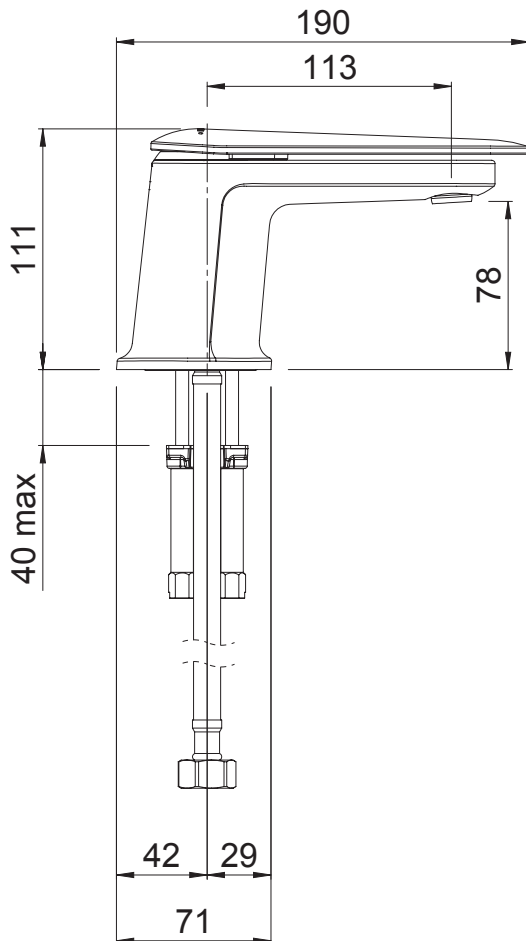


AOBCPAU  
AIO BASIN MIXER



**FINISH:** Chrome

**CONSTRUCTION:** Lead Free Eco Brass  
**CARTRIDGE TYPE:** 35mm ceramic  
**SUPPLY:** Mains Pressure  
**CONNECTIONS:** 1/2" BSP Female  
**WORKING PRESSURES:** 150 - 500 kpa  
**OPERATING TEMPERATURE:** 5°C to 80°C\*

\*Refer AS/NZS 3500

- Crafted from Eco Brass®, a revolutionary high quality, high strength, corrosion resistant material that is lead and heavy metal free, therefore preserving water quality for both consumption and bathing.
- 35mm ceramic disc cartridge can be adjusted to reduce the temperature setting, saving energy.
- Cushion close handle protects against forceful tap closure protecting the cartridge and spout.
- ASD aerator included for optimised water stream direction.
- Integrated base ring eliminates potential build-up of dirt, making cleaning easier.
- Twin-stud mounting for secure basin installation.
- Stainless steel flexible hoses – 1/2" BSP female.
- Suitable for mains pressure installation.
- WELS 4 Star 7.5l/min.

**THE METHVEN GUARANTEE.** For total peace of mind, all Aio tapware products include a 20 Year Parts and Labour Guarantee. For commercial installations, a 10 Year Guarantee on Parts and Labour and a 10 Year Guarantee on Cartridge Replacements applies. For full terms and conditions, visit [www.methven.com](http://www.methven.com).