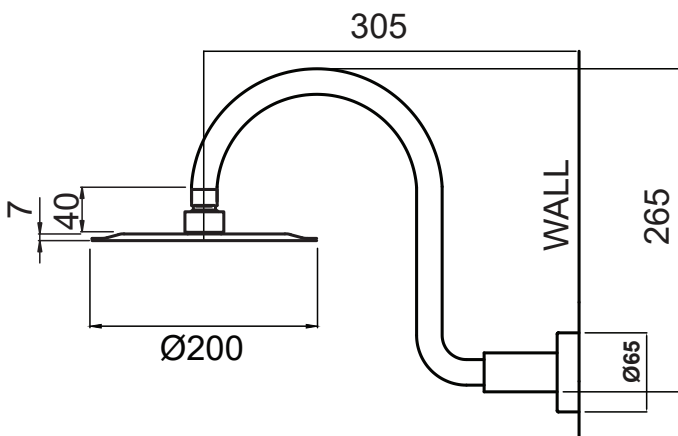


15-3817
**STAINLESS STEEL WALL SHOWER
 ON SWAN NECK ARM**



FINISH: Chrome / Stainless Steel

FUNCTION: Single

INSTALL METHOD: Screw-off, Screw-on

SUPPLY: Mains Pressure

CONNECTIONS: 1/2" BSP Female

WORKING PRESSURES: 150 - 500 kpa

OPERATING TEMPERATURE: Recommended 50°C*

*Refer AS/NZS 3500

- Single function ø200mm round stainless steel plate
- Overhead shower thickness 7mm, creating a sleek minimal profile
- Rub clean silicon jets on the faceplate helps to eliminate the build-up of limescale & calcium deposits, maintaining shower performance
- Brass, adjustable ball joint connection
- Designed for extra height in shower recess
- High quality brass arm with stylish wall plate
- Easy screw-off, screw-on installation with no drilling required

THE METHVEN GUARANTEE. For total peace of mind, all domestic shower products include a Lifetime Replacement Guarantee. For commercial installations, Satinjet® showers carry a 15 Year Replacement Warranty. For full terms and conditions, visit www.methven.com.