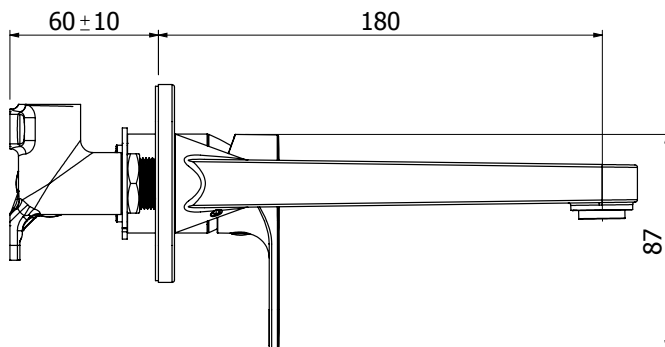
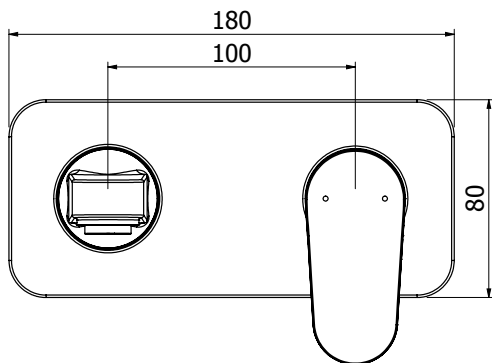


**03-9814MBK  
GLIDE WALL MOUNTED BASIN  
MIXER WITH 200MM SPOUT**



Also available in  
CHROME FINISH



**FINISH: Matte Black\***

**CONSTRUCTION:** Brass Body & Spout - Metal Plate

**CARTRIDGE TYPE:** 25mm ceramic

**SUPPLY:** Mains Pressure

**CONNECTIONS:** 1/2" BSP Female

**WORKING PRESSURES:** 150 - 500 kpa

**OPERATING TEMPERATURE:** 5°C to 70°C\*

\*Refer AS/NZS 3500

- 25mm ceramic disc cartridge
- Metal wall plate and cast brass spout for longevity
- Solid easy-to-grip handle
- Body inlets - 1/2" BSP female
- Tiling template included with mixer body
- Suitable for mains pressure installation.
- Positive sealed faceplate
- Adjustable Stream Direction Aerator with slim stream flow director
- Left-hand or right-hand outlet variable option
- 20mm faceplate mount variability for ease of installation (*breach not included*)
- WELS 5 Star, 6 l/min
- Also available in chrome finish (03-9814M)

**THE METHVEN GUARANTEE.** For total peace of mind, all domestic tapware products include a 15 Year Parts and Labour Guarantee. For commercial installations, a Five Year Guarantee on Parts and Labour and a 10 Year Guarantee on Cartridge Replacements applies. For full terms and conditions, visit [www.methven.com](http://www.methven.com).

\*3 year warranty on Matte Black finish