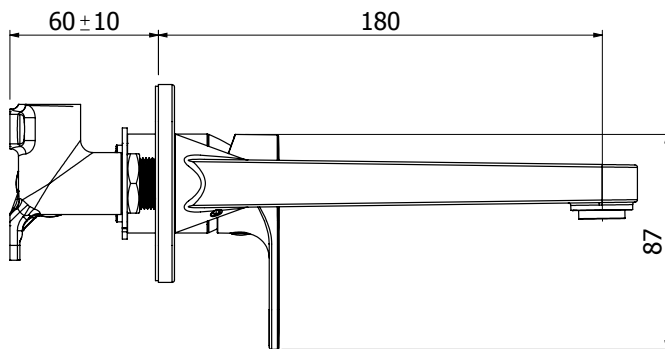
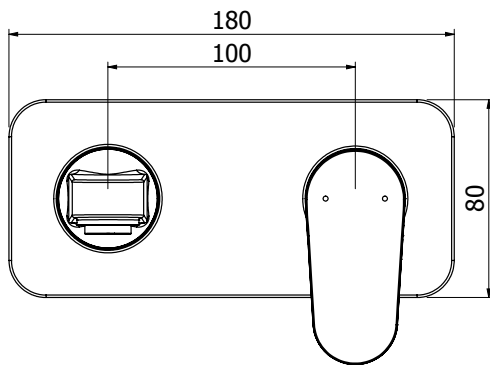


03-9814M
GLIDE WALL MOUNTED BASIN
MIXER WITH 200MM SPOUT



Also available in
MATTE BLACK FINISH



FINISH: Chrome

CONSTRUCTION: Brass Body & Spout - Metal Plate

CARTRIDGE TYPE: 25mm ceramic

SUPPLY: Mains Pressure

CONNECTIONS: 1/2" BSP Female

WORKING PRESSURES: 150 - 500 kpa

OPERATING TEMPERATURE: 5°C to 70°C*

- 25mm ceramic disc cartridge
- Metal wall plate and cast brass spout for longevity
- Solid easy-to-grip handle
- Body inlets - 1/2" BSP female
- Tiling template included with mixer body
- Suitable for mains pressure installation.
- Positive sealed faceplate
- Adjustable Stream Direction Aerator with slim stream flow director
- Left-hand or right-hand outlet variable option
- 20mm faceplate mount variability for ease of installation (*breach not included*)
- WELS 5 Star, 6 l/min
- Also available in matte black finish (03-9814MBK)

THE METHVEN GUARANTEE. For total peace of mind, all domestic tapware products include a 15 Year Parts and Labour Guarantee. For commercial installations, a Five Year Guarantee on Parts and Labour and a 10 Year Guarantee on Cartridge Replacements applies. For full terms and conditions, visit www.methven.com.