

METHVEN

Fastflow®

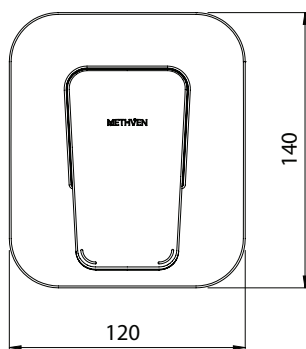
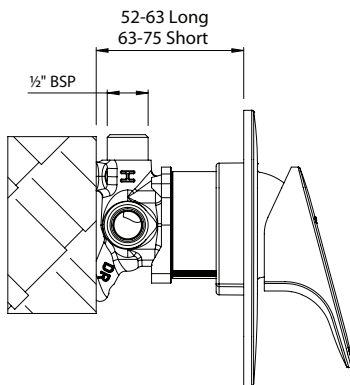


Waipori

Fastflow® WAIPORI SHOWER MIXER

Fastflow® technology delivers unrivalled performance on unequal pressure installations. It has been used and trusted by New Zealand plumbers for over 20 years.

Using precision engineered jets, Fastflow® ingeniously uses high pressure cold water velocity to draw the low pressure hot water through at an increased rate. This provides maximum water flow at the optimum temperature.



Also available in
MATTE BLACK FINISH
> WAAPSBK



CONSTRUCTION: Brass body
CARTRIDGE TYPE: Ceramic
CLASSIFICATION: Suitable for all pressure systems
INLET CONNECTIONS: 1/2" BSP Male
OUTLET CONNECTIONS: 1/2" BSP Male
WORKING PRESSURE: 35 - 500kPa
OPERATING TEMPERATURE: 5 °C - 80 °C

- Fastflow™ technology incorporated for unrivalled performance on unequal pressure
- Large 140 x 120mm metal backplate
- DR brass body for greater durability and safe water
- Concealed screws to positively fasten faceplate
- Two dome covers provided for greater installation tolerance
- Brass feet for ease of installation

WASHCP

Chrome

<http://www.methven.com/nz/waipori-shower-mixer-fastflow>