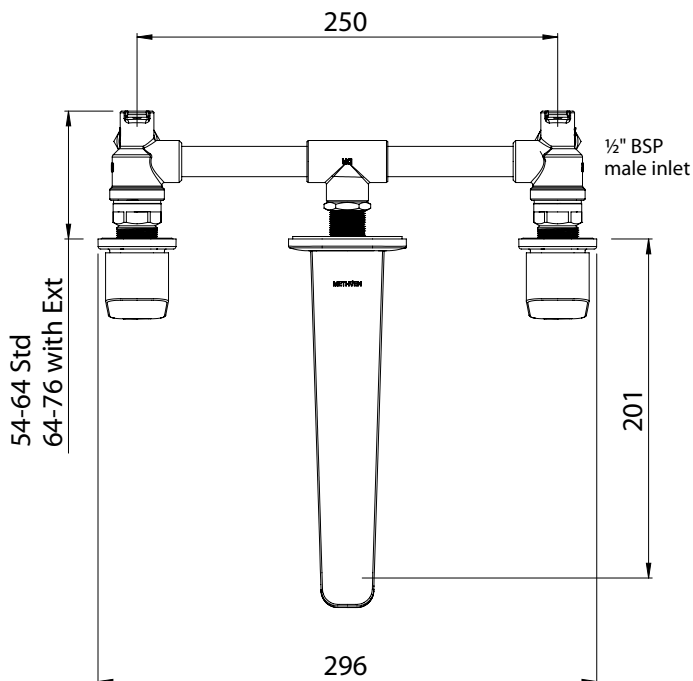


01-8345
WAIPORI 3 HOLE WALL
MOUNTED BATH SET



FINISH: Chrome

CONSTRUCTION: Brass spout
CARTRIDGE TYPE: 1/4 turn ceramic disc
SUPPLY: Mains Pressure
CONNECTIONS: 1/2" BSP Female
WORKING PRESSURES: 150 - 500 kpa
OPERATING TEMPERATURE: 5°C to 70°C*

*Refer AS/NZS 3500

- 1/4 turn ceramic disc technology
- Cast brass spout
- Contra-rotating handles
- Solid easy-to-grip modular handles
- Spout fitted with Adjustable Stream Direction Aerator
- Includes wall breach
- Body inlets - 1/2" BSP female
- Suitable for mains pressure installation
- WELS rating not required