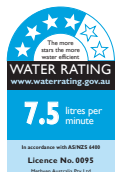
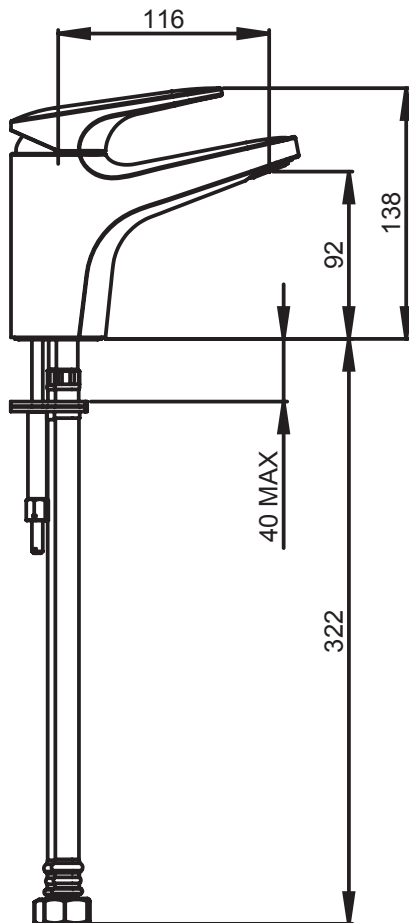


01-7003
KAHA SWIVEL BASIN
MIXER



FINISH: Chrome

CONSTRUCTION: Brass
CARTRIDGE TYPE: 35mm ceramic
SUPPLY: Mains Pressure
CONNECTIONS: 1/2" BSP Female
WORKING PRESSURES: 150 - 500 kpa
OPERATING TEMPERATURE: 5°C to 70°C*

*Refer AS/NZS 3500

- 35mm ceramic disc cartridge can be adjusted to reduce water temperature settings, saving energy
- Concealed swivel operation at base of mixer
- Solid easy-to-grip modular handle
- Solid brass construction for longevity
- Spout fitted with flush mounted Adjustable Stream Direction Aerator
- Twin-stud mounting for secure basin installation
- Stainless steel flexible hoses - 1/2" BSP female
- Suitable for mains pressure installation
- WELS 4 Star, 7.5l/min

THE METHVEN GUARANTEE. For total peace of mind, all domestic tapware products include a 15 Year Parts and Labour Guarantee. For commercial installations, a Five Year Guarantee on Parts and Labour and a 10 Year Guarantee on Cartridge Replacements applies. For full terms and conditions, visit www.methven.com.