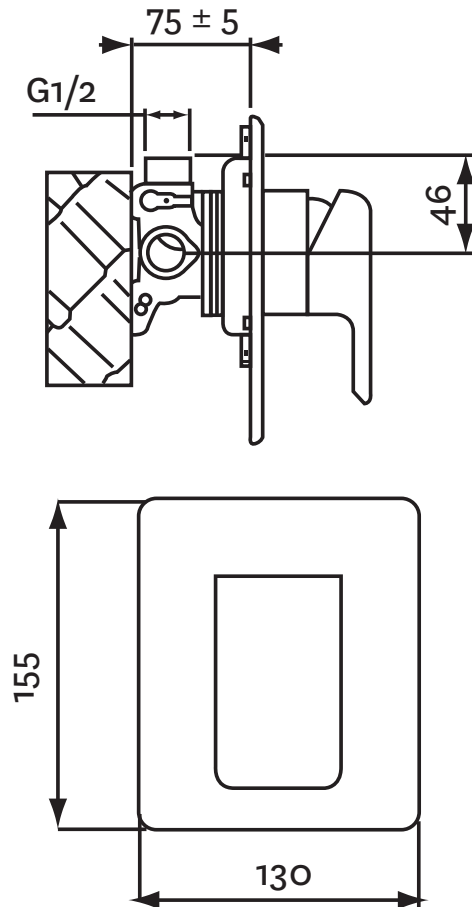


01-5139
KIRI SHOWER MIXER



FINISH: Chrome

CONSTRUCTION: Brass body / Metal plate

CARTRIDGE TYPE: 40mm ceramic

SUPPLY: Mains Pressure

CONNECTIONS: 1/2" BSP Female

WORKING PRESSURES: 150 - 500 kpa

OPERATING TEMPERATURE: 5°C to 70°C*

*Refer AS/NZS 3500

- Evenflo™ technology helps to ensure consistent water flow delivery to help prevent fluctuations in water temperature even when pressure is unbalanced. Precise temperature transition from cold to hot minimises the risk of scalding and thermal shock
- 40mm ceramic disc cartridge can be adjusted to reduce water temperature settings, saving energy
- Metal wall plate construction for longevity
- Solid easy-to-grip modular handle
- Incorporates brass lugs for ease of mounting
- Body inlets - 1/2" BSP female
- Suitable for mains pressure installation
- WELS rating not required

THE METHVEN GUARANTEE. For total peace of mind, all domestic tapware products include a 15 Year Parts and Labour Guarantee. For commercial installations, a Five Year Guarantee on Parts and Labour and a 10 Year Guarantee on Cartridge Replacements applies. For full terms and conditions, visit www.methven.com.