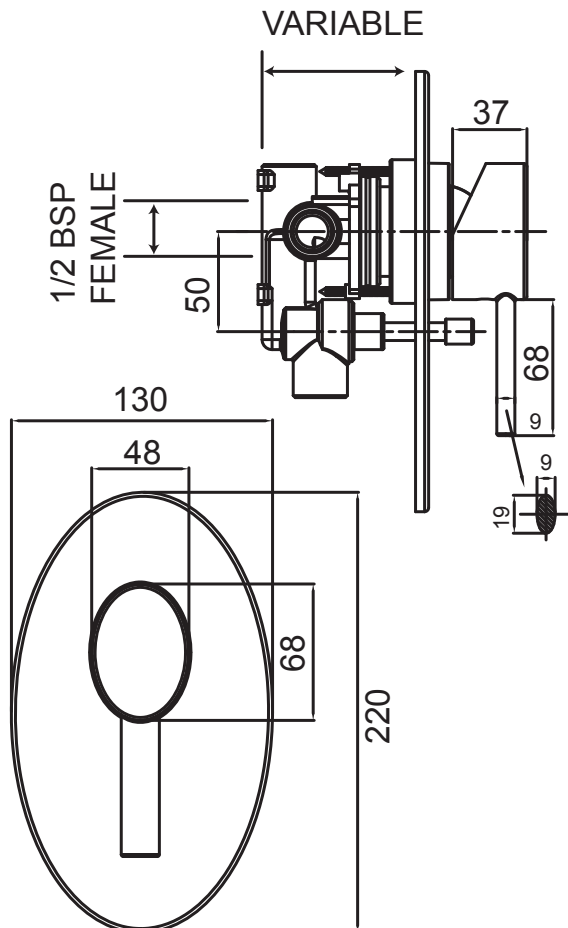


01-0202
OVALO SHOWER MIXER
WITH DIVERTER



FINISH: Chrome

CONSTRUCTION: Brass body / Metal plate

CARTRIDGE TYPE: 40mm ceramic

SUPPLY: Mains Pressure

CONNECTIONS: 1/2" BSP Female

WORKING PRESSURES: 150 - 500 kpa

OPERATING TEMPERATURE: 5°C to 70°C*

*Refer AS/NZS 3500

- Evenflo™ technology helps to ensure consistent water flow delivery to help prevent fluctuations in water temperature even when pressure is unbalanced. Precise temperature transition from cold to hot minimises the risk of scalding and thermal shock
- 40mm ceramic disc cartridge can be adjusted to reduce water temperature settings, saving energy
- Shower mixer with pull-out diverter defaults to bath spout
- Metal wall plate construction for longevity
- Concealed faceplate fixing- no need for silicone sealing
- Positive- Sealed faceplate
- Incorporates brass lugs for ease of mounting
- Body inlets - 1/2" BSP female
- Suitable for mains pressure installation
- WELS rating not required

THE METHVEN GUARANTEE. For total peace of mind, all domestic tapware products include a 15 Year Parts and Labour Guarantee. For commercial installations, a Five Year Guarantee on Parts and Labour and a 10 Year Guarantee on Cartridge Replacements applies. For full terms and conditions, visit www.methven.com.