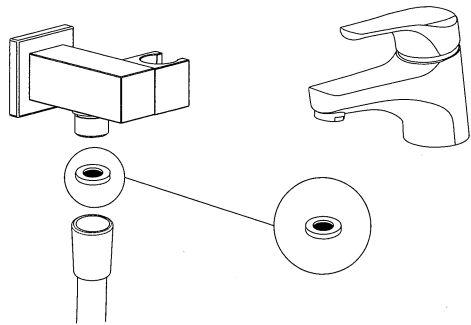


Care and Cleaning:

Never use abrasives or abrasive cleaning agents to clean this product. Clean regularly with contamination free warm soapy water and a damp soft cloth.

Periodically the filter washer should be removed from the end of the shower hose and cleaned.



Methven warrants this product against manufacturing defects and that it is suitable for use under the general operating conditions specified in this instruction sheet. However, regional regulations apply and may affect your warranty. Please refer to www.methven.com or call customer service for full details.

New Zealand
0800 804 222

Australia
1300 638 483

UK
0800 195 1602

98-0277

ISSUE A
DECEMBER 2015

WALL OUTLET BRACKET

Installation Guide

Technical Specifications:

Operating Pressure:

Min: 35kPa/0.35bar
Max: 500kPa/5.0bar*
Optimum: 150kPa/1.5bar - 500kPa/5bar

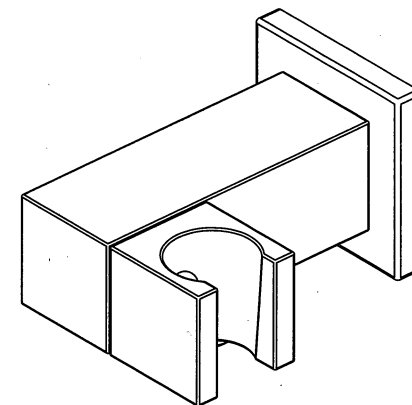
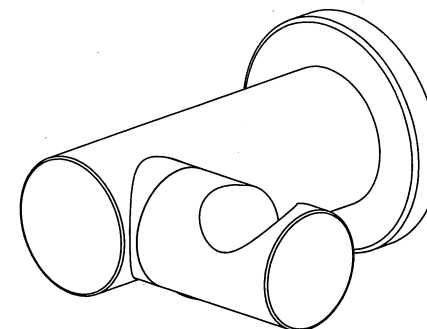
Operating Temperature:

Hot: Max 80°C*
Cold: Min 5°C

Inlet Connections:

All 1/2" BSP

* Regional specific regulations apply.
Please refer to your warranty statement at
www.methven.com

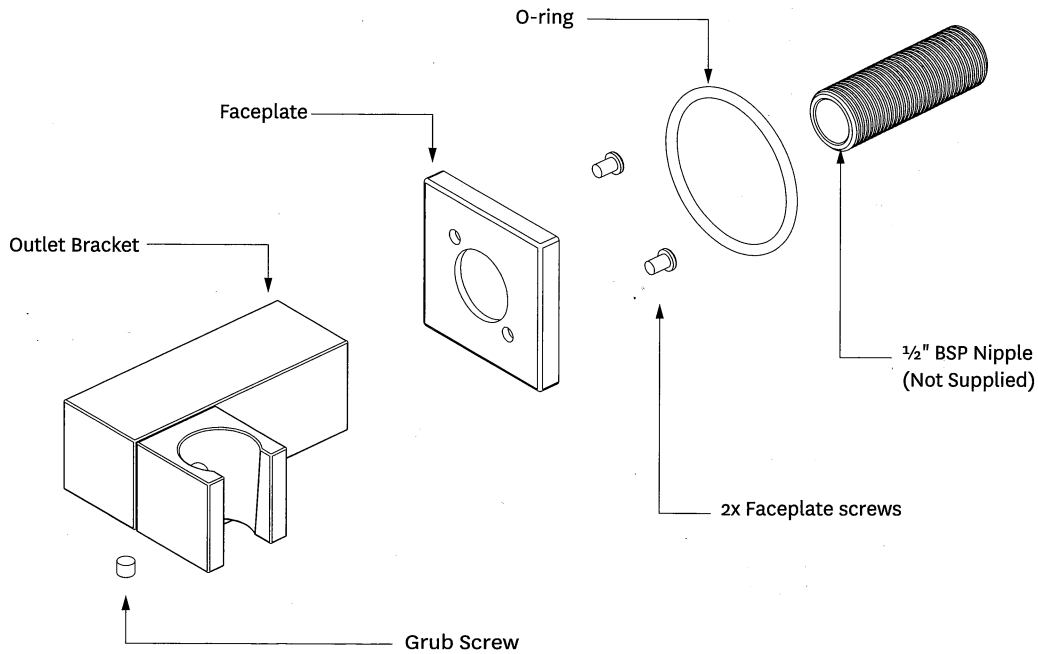


METHVEN
www.methven.com

IMPORTANT: Please read all of the instructions before installation.

General:

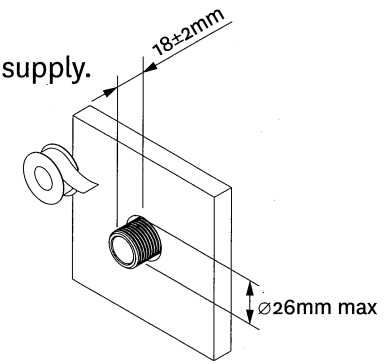
- Methven recommends this product is installed by a licensed plumber in compliance with all relevant regional regulations.
- After installation all connections must be checked for leaks.
- All outlets used primarily for personal hygiene shall deliver water at a safe temperature as per regional regulations.
- It is the responsibility of the installer to ensure a waterproof seal is achieved between the product and mounting surface. If in doubt about the quality of the seal, remove the product and reinstall using silicone to ensure a seal is achieved.



IMPORTANT: Before you begin, turn off the water supply.

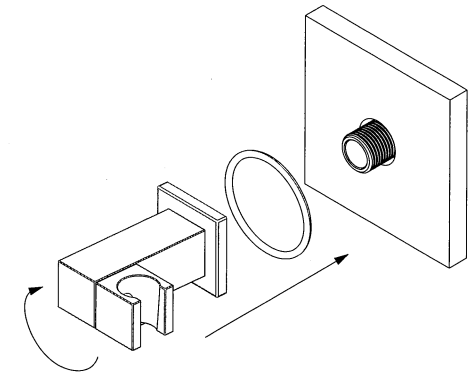
Step 1

- Wall lining hole should be cut or finished as per the dimension shown in the diagram on the right.
- Cut off the threaded nipple $18\pm 2\text{mm}$ from the wall lining and apply thread seal tape to ensure a good seal.



Step 2

- Secure wall outlet bracket to the nipple by screwing until the sealing o-ring is tight against the wall lining.



Step 3

- Connect hose to outlet bracket and handset.
- Ensure swivelling cone is connected to the handset.

