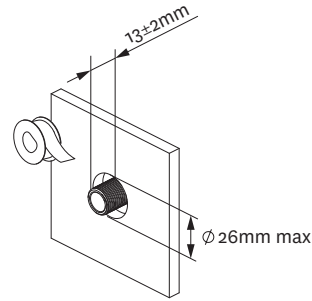


Elbow Installation (if supplied):

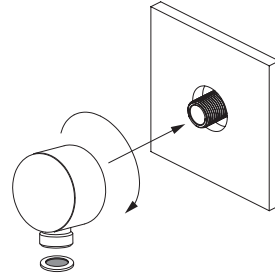
Step 1

- Wall lining hole should be cut or finished as per the dimension shown in the diagram on the right.
- Cut off the threaded nipple $13\pm 2\text{mm}$ from the wall lining and apply thread seal tape to ensure a good seal.



Step 2

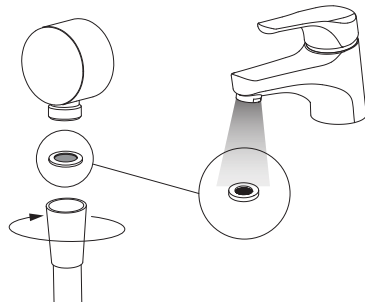
- Screw the elbow onto the nipple ensuring that the o-ring is sufficiently compressed to create a watertight seal.
- Ensure that the elbow is oriented vertically with the outlet oriented downwards.



Care and Cleaning:

Never use abrasives or abrasive cleaning agents to clean this product. Clean regularly with contamination free warm soapy water and a damp soft cloth.

Periodically the filter washer should be removed from the end of the shower hose and cleaned.



Methven warrants this product against manufacturing defects and that it is suitable for use under the general operating conditions specified in this instruction sheet. However, regional regulations apply and may affect your warranty. Please refer to www.methven.com or call customer service for full details.

New Zealand
0800 804 222

Australia
1300 638 483

UK
0800 195 1602

439971

ISSUE C

OVAL AND ROUND RAIL Installation Guide

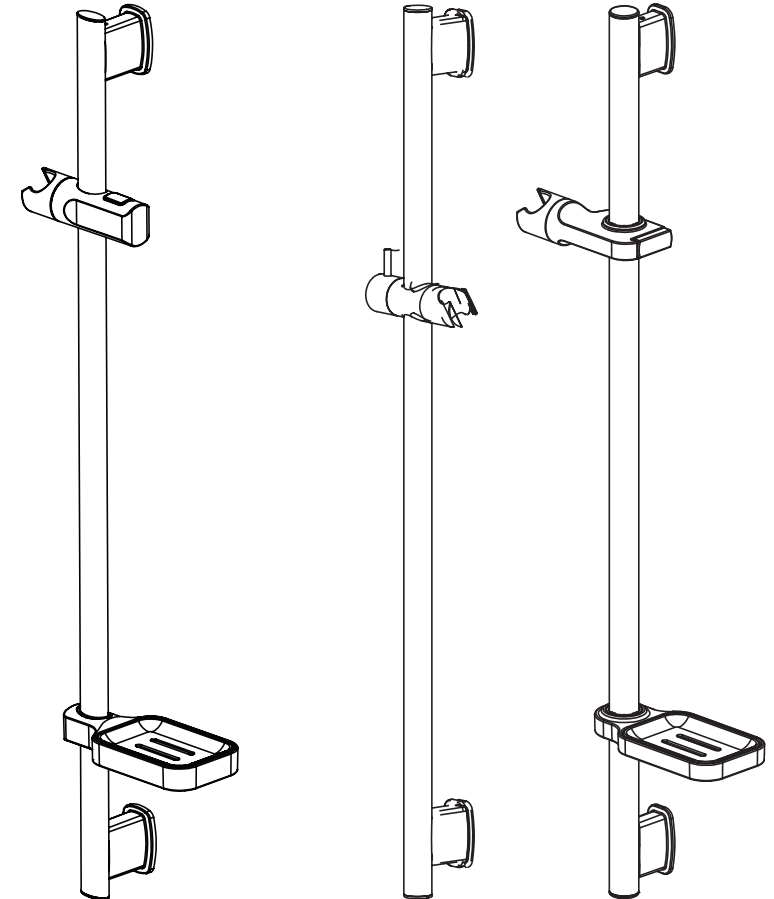
Technical Specifications:

Inlet Connections:

All $\frac{1}{2}$ " BSP

** Regional specific regulations apply.*

Please refer to your warranty statement at
www.methven.com

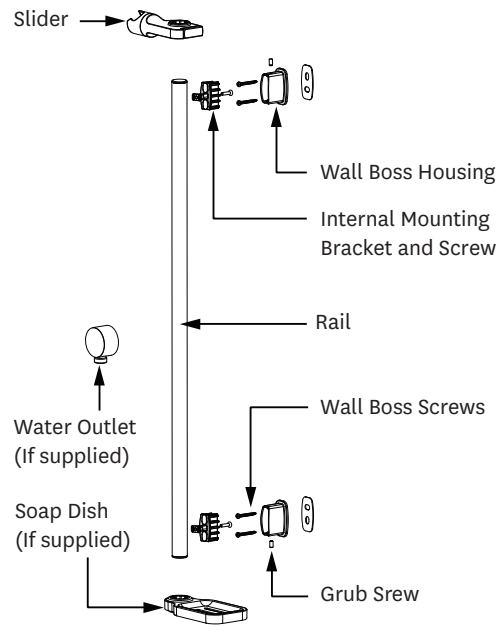


METHVEN
www.methven.com

IMPORTANT: Please read all of the instructions before installation.

General:

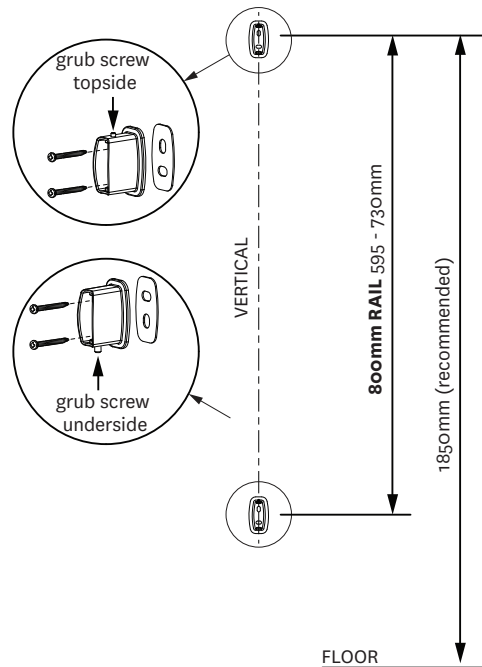
- This product must be installed in compliance with all relevant regional regulations.
- It is the responsibility of the installer to ensure a waterproof seal is achieved between the product and mounting surface. If in doubt about the quality of the seal, remove the product and reinstall using silicone to ensure a seal is achieved.
- All pipe work must be thoroughly flushed prior to the installation of the hose.
- After installation all connections must be checked for leaks.
- All outlets used primarily for personal hygiene shall deliver water at a safe temperature as per regional regulations.



Step 1

- Mount the wall boss housings in desired position with the screws. Check the mounts are vertically aligned. Ensure the grub screws are located on the correct sides as shown.

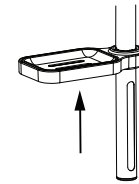
Ensure protection pads are used between wall bosses and tiles.



Step 2

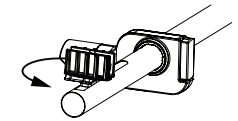
Rail can be orientated so that handset sits on opposite side of the rail.

- Slide soap dish onto the rail (if supplied).
- Slide hose retainer onto the rail (if supplied).



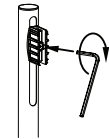
Step 3

- Fit the internal mounting brackets by locating in slot and rotating 90°.



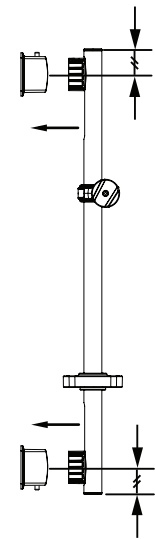
Step 4

- Tighten the tensioning screws lightly with the hex key provided.



Step 5

- Match the mounting brackets to wall bosses and push into place.
- Slide the rail up or down to centralise the brackets.
- Remove the rail and tighten the tensioning screws firmly.
- Relocate the rail onto wall bosses and tighten grub screws top and bottom.



Step 6

- To adjust slider position, rotate the slider handle to unlock and lock the slider as shown.
- IF HANDSET, HOSE OR WATER OUTLET ARE SUPPLIED: Connect hose to water outlet and Methven handset. Ensure swivelling cone is connected to the handset.

