

# METHVEN

## Hi-Rise Shower

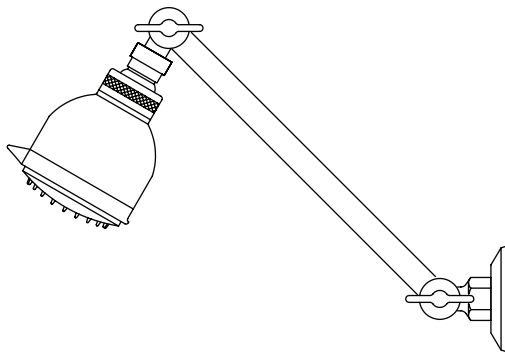


Illustration may not reflect actual product shape.

### Important Installation Considerations

Please read all of the instructions before installation

1. NOTE: Some showers may not provide an effective shower when used with gravity fed heated water systems or where pressures are less than 150kPa at the outlet. Additionally showers with flow rates of less than 9L/min may not allow the following to function correctly:
  - some instantaneous water heaters
  - some tempering valves
  - some thermostatic mixing valves
2. Some shower heads only operate correctly when hot and cold water supplies are both mains pressure and may not be suitable for some instantaneous hot water services.
3. Use of this product in non-domestic applications voids warranty.
4. Damage caused by hydrostaic testing is not covered by our warranty.

**WELS**  
REFER TO  
PRODUCT  
FOR STAR  
RATING

[www.methven.com](http://www.methven.com)

**Methven Australia Pty Ltd**

ABN 15 104 813 390

Melbourne, Australia

[www.methven.com](http://www.methven.com)

## Installation

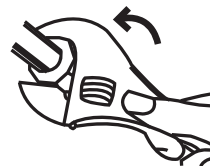
Refer to diagram at right.

The tools you will need: adjustable spanner.

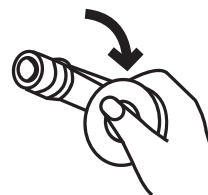
1. Unscrew your old shower anti-clockwise.
2. Clean the exposed thread and bind clockwise with thread sealing tape.
3. All pipework must be thoroughly flushed prior to the installation of the shower.
4. Screw on your new shower (clockwise), using your adjustable spanner. Do not use arm as leverage to tighten to the wall.

**NOTE:** Never use abrasives to clean this product. Clean regularly with contamination free warm soapy water or damp soft cloth.

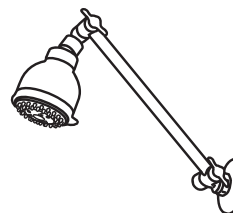
STEP 1



STEP 2



STEP 4



AUG 2011

97-9363

### THE METHVEN GUARANTEE

The warranty statement shall apply to all tapware & showers supplied by Methven

For more information visit [www.methven.com](http://www.methven.com)

THIS WARRANTY ISSUED BY: Methven Australia Pty Ltd, Melbourne Australia